

- DCM SDN Low-voltage Motor Cable (14/2 + 22/3 TWS)  
Part #9020126 Non-Plenum / #9020127 Plenum
- SDN Bus (CAT-5e or higher)
- SEN Sensor Communication Cable (16/2)
- Network (CAT-5e or higher)
- 0-10V Input (18/2)
- 120V Power

**PROJECT NOTES:**

1. All Wiring will be supplied by ran, terminated and labeled by an ELECTRICIAN.
2. Final equipment parts and model numbers pending final design.
3. All local Fire and Electrical Codes are to be followed.

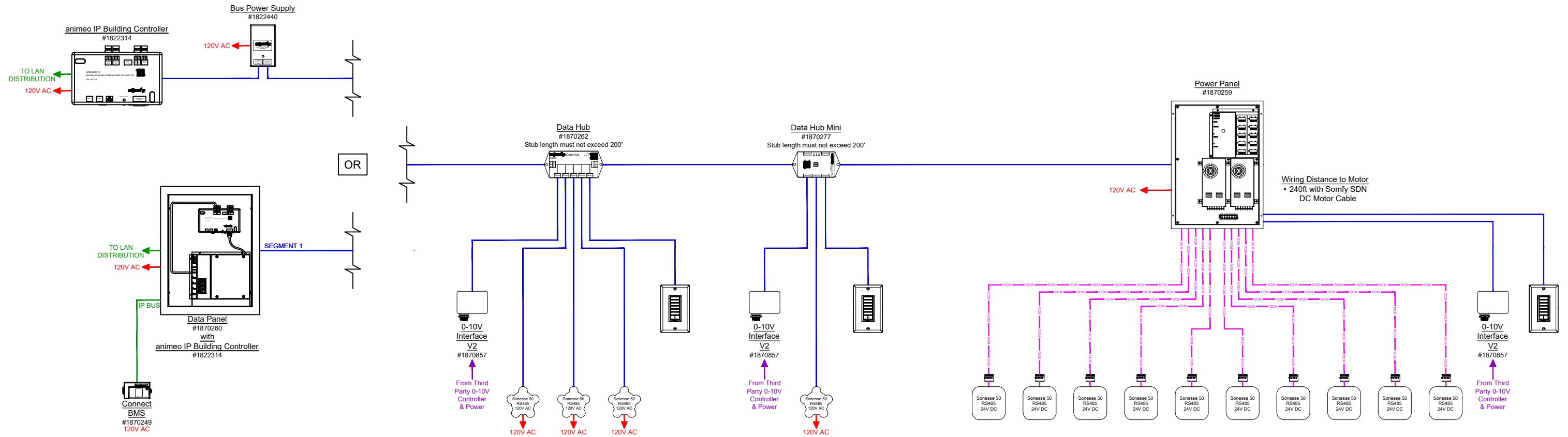
**MOTOR NOTES:**

- AC Motor
- All AC Motors require 120V power; power line may be daisy chained to reduce wiring.
  - All AC Motors require a power disconnect present at each Motor
- DC Motor
- Max distance from Power Panel #1870259 to DC Motor is 240' [73m] when using the SDN Low-voltage Motor Cable (Non-Plenum #9020126 or Plenum #9020127)

**EQUIPMENT NOTES:**

- Bus Power Supply #1822440
- All Bus Power Supplies will require a Dedicated Outlet located next to Bus Power Supply; to be supplied and installed by an ELECTRICIAN.
- Data Panel #1870260
- All Data Panels require a hardwired 120V connection to be provided and terminated by an ELECTRICIAN; (1) Data Panel per Dedicated 15 Amp Circuit.
  - All Data Panel Rooms will require a Dedicated Outlet located next to Data Panel to be used for system programming; to be supplied and installed by an ELECTRICIAN.
  - All Data Panels include (4) isolated bus segments.
- Data Hub #1870262 and Mini Data Hub #1870277
- All Data Hubs require Bus Power from (1) Bus Power Supply or Data Panel per System.
  - Max distance from connected Device is 200' [60m].
  - If installed in a Junction Box it must be a minimum of 6" x 6".
- Power Panel #1870259
- All Power Panels require Bus Power from (1) Bus Power Supply or Data Panel per System.
  - Each Power Panel will require a hardwired 120V connection to be provided and terminated by an ELECTRICIAN; (1) Power Panel per Dedicated 15 Amp Circuit or (2) Power Panels per Dedicated 20 Amp Circuit.

- 0-10V Interface V2 #1870857
- Bus Power from 0-10V Interface V2 must be switched OFF when connecting to Device Port on SDN Device.
  - The 0-10V and line voltage inputs for 0-10V Interface V2 are required from the Third Party 0-10V connection.
  - Max distance from Third Party is 100' [30m].
  - Max distance from Device Port is 200' [60m].
- Decoflex Keypad
- All Keypads require a 1-Gang Back Box to be supplied and installed by an ELECTRICIAN; all Back Boxes should have adequate depth (~3") to support an RJ-45 connection to the back of the Keypad.
- animeo IP Building Controller #1822314
- The animeo IP Building Controller to be installed inside Data Panel on DIN rail mount OR installation location to be field determined by DEALER.
- Somfy Connect BMS #1870249
- The Somfy Connect BMS includes 24V DC Power Supply #1822209.
  - All 24V DC Power Supplies will require a Dedicated Outlet located next to Somfy Connect BMS; to be supplied and installed by an ELECTRICIAN.
  - The Somfy Connect BMS will require (1) CAT-5e or higher NETWORK Wire to the Third-Party System.
  - Max distance to Third-Party Network is 328' [99m].



- All 0-10V (V2) Interfaces are installed (in an accessible location and manner for final configuration and programming) and powered.
- Group Specific Configuration will communicate on the SDN bus with assigned Group Addresses.
- In this Configuration, the 0-10V Interface bus power is turned off.
- Please reference the Programming Guide available on the product page at somfysystems.com.

© 2015 Somfy Systems, Inc. All Rights Reserved. This drawing is the property of Somfy Systems, Inc.. The graphics, information and specific ideas in this document are the exclusive property of Somfy Systems, Inc. and must not be made public, copied, or sold. Others seeking permission to reproduce this document, in whole or in part, must obtain permission from Somfy Systems, Inc. in writing.

Tel: 1-800-64-SOMFY  
Fax: 1-609-495-8165  
www.somfysystems.com



Date:	06/02/22	Rev	Date	By	Revisions	Description
Print Size:	11" x 17"	-	--/--/--	-		
Scale:	NTS	-	--/--/--	-		
Sales:	N/A	-	--/--/--	-		
Drawn by:	RV	-	--/--/--	-		
Checked by:	PK	-	--/--/--	-		

Dwg Title:  
0-10V Interface V2  
animeo IP via Device Port  
System Overview

Dwg No.:  
10vV2-SYS-03

Project name:  
Technical Library

Client:  
Somfy Systems, Inc.

Address:  
121 Herrod Boulevard  
Dayton, NJ 08810