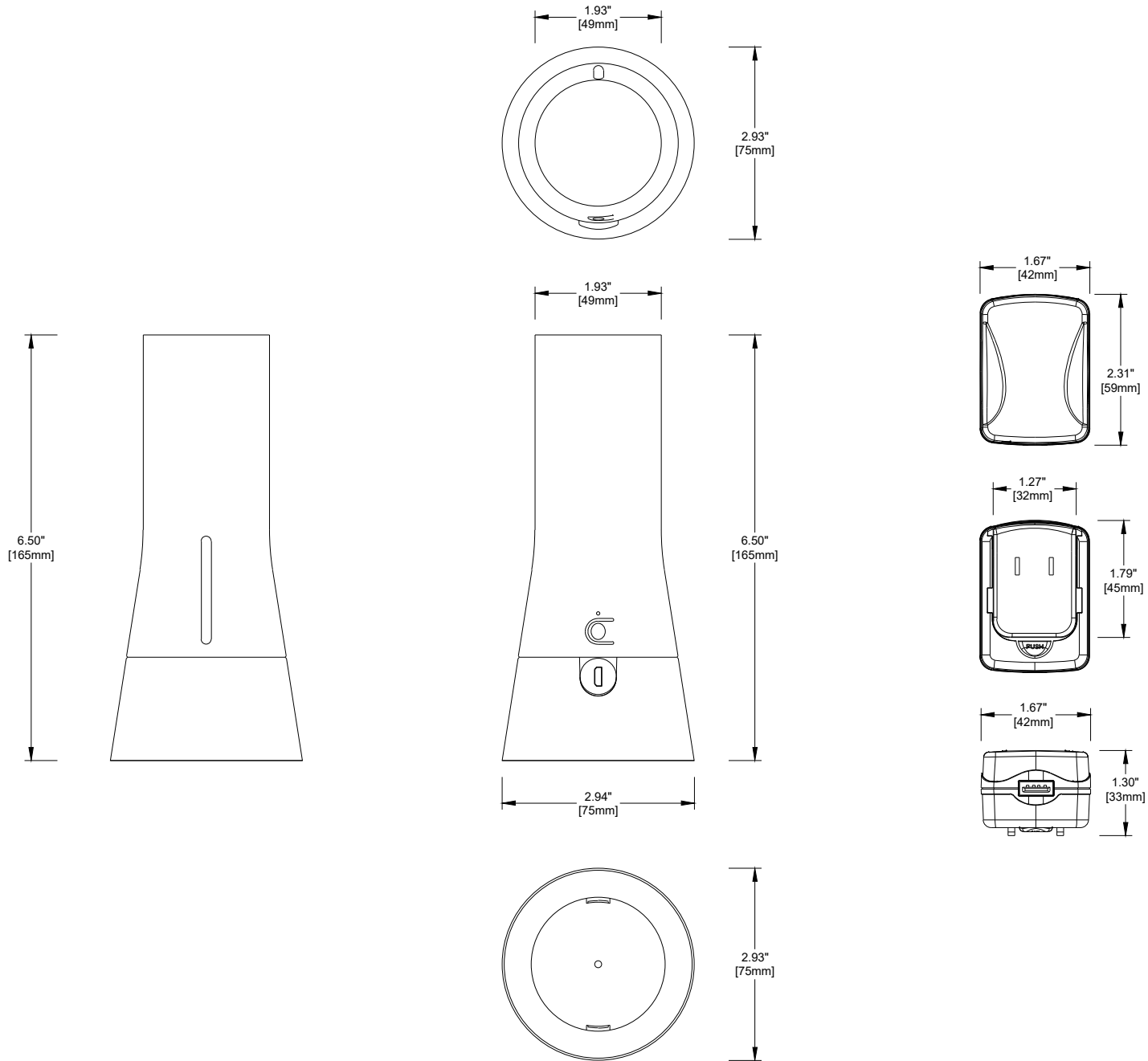


\*5V DC Power Supply included



© 2015 Somfy Systems, Inc. All Rights Reserved. This drawing is the property of Somfy Systems, Inc. The graphics, information and specific ideas in this document are the exclusive property of Somfy Systems, Inc. and must not be made public, copied, or sold. Others seeking permission to reproduce this document, in whole or in part, must obtain permission from Somfy Systems, Inc. in writing.

Tel: 1-800-64-SOMFY  
 Fax: 1-609-495-8165  
 www.somfysystems.com



Date:	11/22/22	Revisions			
Print Size:	8.5" x 11"	Rev	Date	By	Description
Scale:	NTS	-	--/--/--	-	
Sales:	N/A	-	--/--/--	-	
Drawn by:	TS	-	--/--/--	-	
Checked by:	RV	-	--/--/--	-	

Dwg Title:  
**TaHoma RTS/Zigbee  
 Interface & Power Supply  
 Part# 1811731**

Dwg No.:  
**Part#1811731-SPEC**

Project name:  
**Technical Library**

Client:  
**Somfy Systems, Inc.**

Address:  
**121 Herrod Boulevard  
 Dayton, NJ 08810**