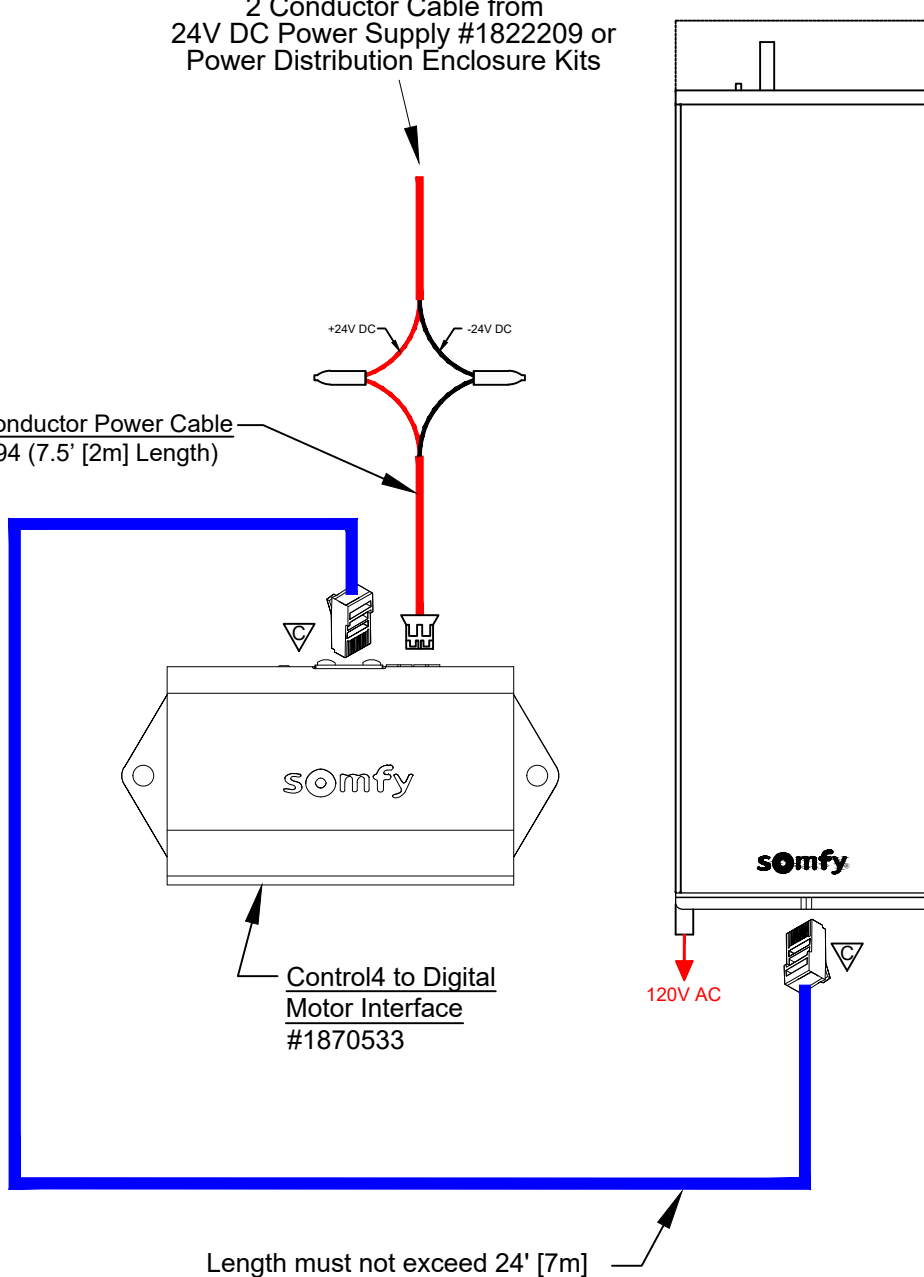


2 Conductor Cable from
24V DC Power Supply #1822209 or
Power Distribution Enclosure Kits

24V DC 2 Conductor Power Cable
Part #9014794 (7.5' [2m] Length)



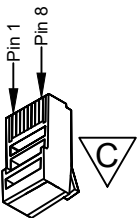
Drapery Track
#1780899

GLYDEA® ULTRA 35 RTS #1003152
GLYDEA® ULTRA 35 DCT #1003151
GLYDEA® ULTRA 60 RTS #1003159
GLYDEA® ULTRA 60 DCT #1003158

*Includes 10' [3m] power cable/plug hardwired to motor

Module required for Motors:
RS485 (2-WAY) MODULE FOR GLYDEA® ULTRA MOTORS
#1870275

SDN Bus Wiring Pinout		
CAT-5e or higher TIA-568B standard with RJ-45		
Pin #	Color	Function
1	Orange White	SDN RS485 (+)
2	Orange	SDN RS485 (-)
3	Green White	Reserved
4	Blue	Power 24v DC
5	Blue White	Power 24v DC
6	Green	Reserved
7	Brown White	SDN RS485 Ground
8	Brown	SDN RS485 Ground



Length must not exceed 24' [7m]