

Ysia 1 & 5 Zigbee

Item #: 1871153 (1 Channel) • Item #: 1871154 (5 Channel)



Overview:

Ysia offers simple, convenient control for motorized window coverings. Available in a clean white finish sporting a sleek, modern look, it adds a touch of elegance to every décor. Available in 1 & 5 channel options, Ysia can be used as a direct control for Somfy Zigbee devices or part of a connected TaHoma® switch system.



Technical specifications:

- Radio protocol: Zigbee® 3.0
- Device type: Zigbee remote
- Frequency: 2.4GHz
- Nominal voltage: 3V (2 x 1,5V)
- Power: 2x AAA battery
- Operating temperature range: 32°F – 118.4°F (0°C – 48°C)
- Antenna: Integrated
- Approvals: FCC, ISED

Features summary:

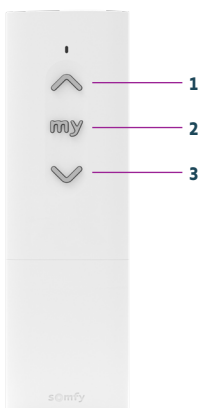
- Operates Zigbee window coverings and Smart Plugs
- Control one individual or one group of motorized Zigbee products per channel
- MY button saves a favorite position for quick and easy access

What's in the box:

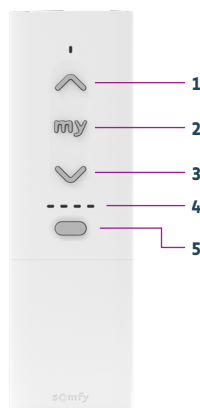
- 1x Ysia Zigbee remote
- 1x User guide
- 1x Wall mount
- 2x Screws and anchors
- 2x Batteries

Connections and indicators:

1 channel front



5 channel front

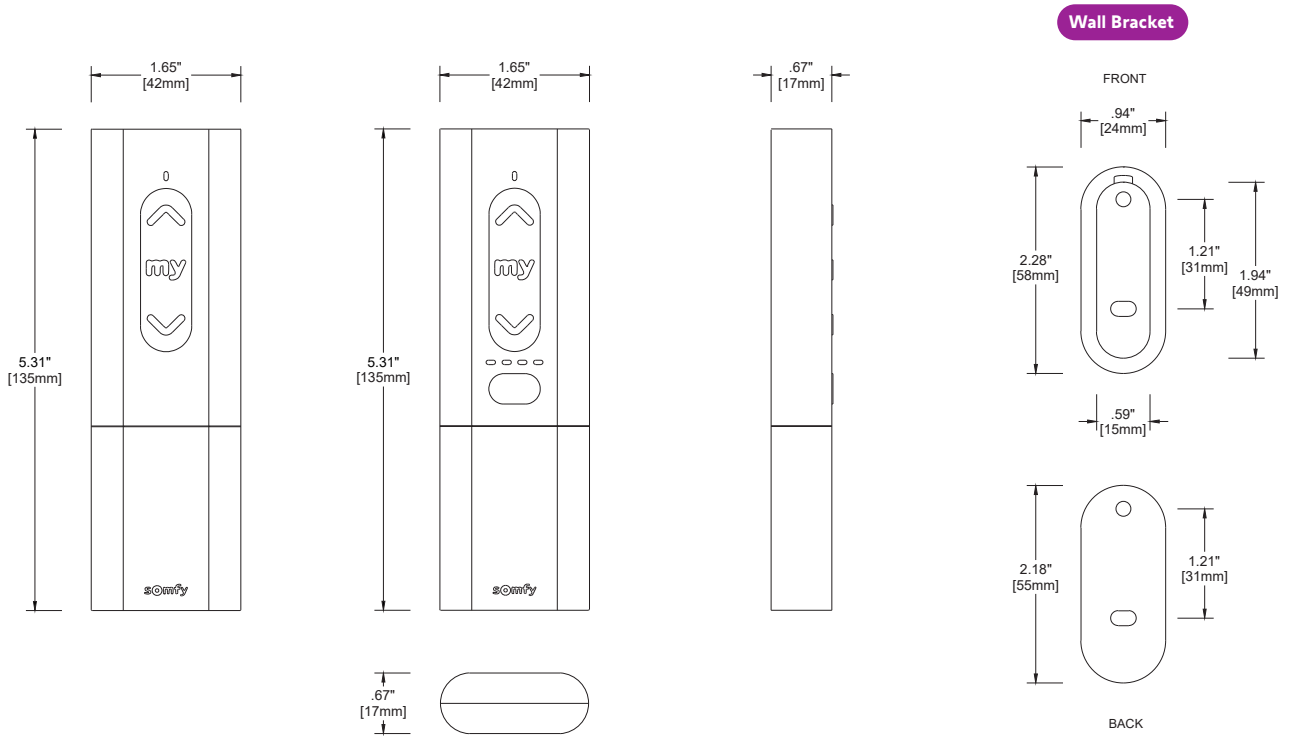


Back



	Element	Function
1	UP Button	Up directional button
2	MY Button	"my" favorite position or STOP button
3	DOWN Button	Down directional button
4	LED Indicators	Indicates channel selected
5	Channel Selector Button	Select channel to operate
6	Programming Button	Initiates Zigbee programming
7	QR Code	To pair transmitter with the Zigbee network

Dimensions:



Best wiring practices:

The diagram shown below is meant for illustrative purposes to show the connections from product to product. This device could be used in other configurations. For specification information on individual products, see related product information.

