

TaHoma® switch

Item #: 1871037 • Item #: 1871038 (includes Ethernet Adaptor)



Overview:

The TaHoma® switch brings connectivity and advanced control to Somfy-powered shades. This hub can control up to 60 Somfy Zigbee products and 40 channels of Radio Technology Somfy® (RTS) motorized products. The TaHoma® app enables users to setup and configure their products, and access their smart shading from anywhere.

TaHoma also enables integration with third-party control systems by leveraging the Somfy Synergy™ API.



Technical specifications:

- Radio protocol: Zigbee 3.0
- Frequency: 2.4 GHz
- Input: 100 – 240V AC / 50 – 60 Hz / Max 0.5 A
- Output: 5V DC / 2000 mA
- Plug type: A
- Consumption: 0.1 A (nominal)
- Connector: 1x Micro-USB
- Dimensions: 6.37" L x 2.65" H x 1.33" W
(162mm L x 67.5mm H x 34 mm W)
- Operating temperature range: 32 °F – 95 °F (0 °C – 35 °C)
- Shipping weight: 0.46lbs (212g)
- Compatibility:
 - TaHoma pro
 - iOS Version 15.0 or later
 - Android Version 8.0 and up
 - TaHoma by Somfy
 - iOS Version 15.0 or later
 - Android Version 8.0 and up



where applicable

- FCC ID: DWN-SWITCH
- IP Rating: IP 30 (for indoor use only)
- Warranty: 5 years (from date of manufacture)
- Certifications:
 - UL (for power supply)
 - FCC
 - Zigbee 3.0

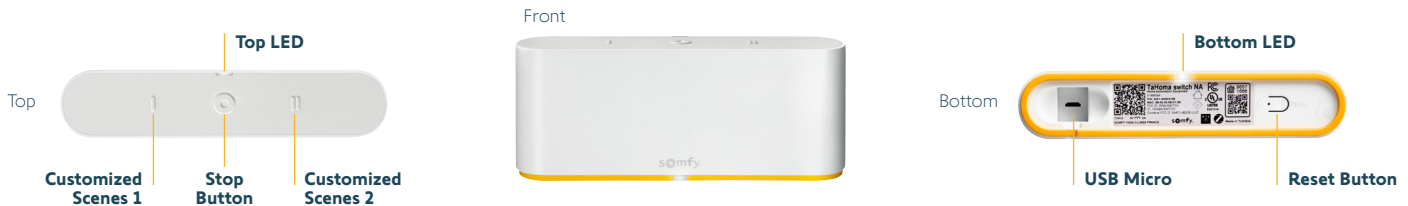
Features summary:

- Enables third-party integration
- Create scenes and schedules for automated control
- Quickly launch scenes directly from the device or using the app
- Allows voice control with Amazon Alexa, Google Home, and Apple HomeKit (where applicable for Zigbee products only)
- Centralized control via an app
- Supports both Zigbee and RTS Somfy products

What's in the box:

- TaHoma® switch
- 1x USB power adaptor
- 1x USB power cable
- 1x Product leaflet
- 1x Legal security notice
- 1 x Onboarding flyer
- 1 x HomeKit instruction flyer
- Ethernet adaptor (1871038 only)

Connections and indicators:



Top LED

Scene Status	Indicator color/state	Duration
Wi-Fi research	Blinking white 2 times	
Wi-Fi lost	Blinking 1 time	
Standing by	Off	
Scene launched	Slow blinking white	3 sec.
Scene stopped (via stop button)	Solid red	<1 sec.

Top indicator used for SCENE MANAGEMENT

Top indicator is also used:

- for Wi-Fi setting process (blinking blue) + connection outage (blinking red)
- as a restart indicator (orange)
- as an indicator for TaHoma pro mode activation, using the new TaHoma pro app (green)

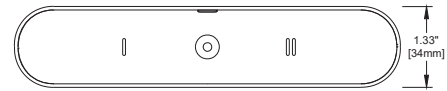
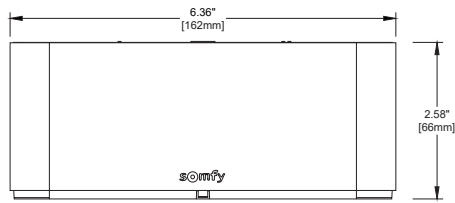
Bottom LED

TaHoma® switch state	Indicator	
	Color	State
Box not powered	None	Off
Box powered and not connected to server	Red	Solid on
Box powered and connected to server	White	Solid on Can be deactivated

STANDARD use for power and server connection status

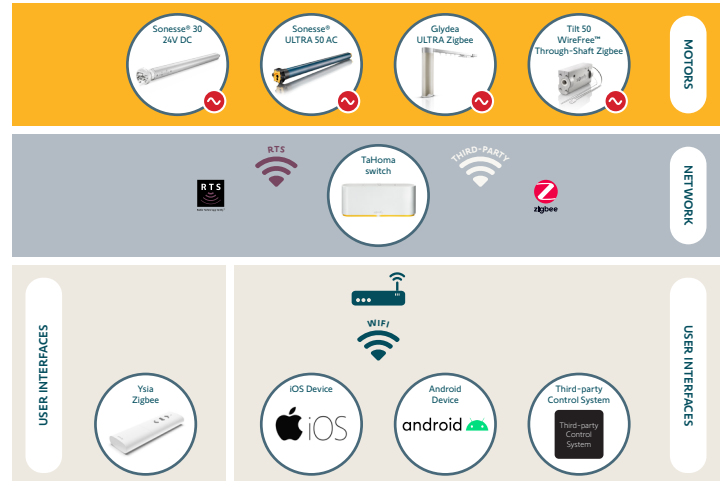


Dimensions:



Best wiring practices:

The diagram shown below is meant for illustrative purposes to show the connections from product to product. This device could be used in other configurations. Somfy does not recommend making custom cable with this device. Please ensure that the limits on the motor have been set and tested.



TaHoma® Ethernet Adaptor

Item #: 9028054

Overview:

The TaHoma® Ethernet Adaptor adds an Ethernet LAN port to TaHoma, providing a fast and stable internet connection.

Technical specifications:

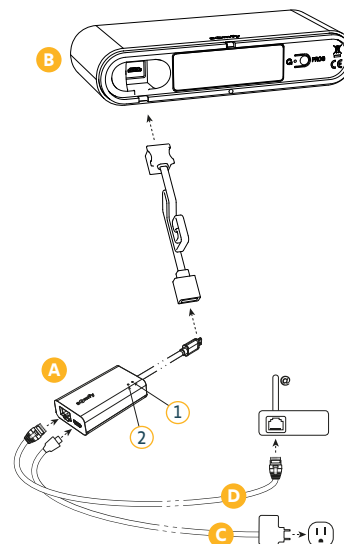
- Input Power: Micro USB Female: 5V, 2A (max)
- Output Power: Micro USB Male: 5V, 2A (max)
- Number of Ports: (Downlink Port) RJ45 + Micro B Female (Uplink Port) RJ45 + Micro B Male
- Transmission Speed: 10/100Mbps
- Operating Temperature: 32°F – 140°F (0°C to 60°C)
- Dimensions: 7.36" L x 1.39" W x 0.67" H (186.94mm L x 35.31mm W x 17.02mm H)
- Shipping Weight: 0.056 lbs (25.5g)
- Certifications: FCC, IC
- Warranty: 5 years (from manufacturer date)

What's in the box:

- TaHoma® Ethernet Adaptor
- Safety instructions



Installation:



- A** Ethernet Adaptor
 - ① Yellow light indicates data transfer
 - ② Blue light indicates Ethernet connection
- B** TaHoma® switch
- C** USB Power Supply
- D** Ethernet Cable

