

Somfy CT-32RT-12V Motor

Fabrication / Assembly Instructions

Using Adapter # 9013284 Tape Reel Shaft Adapter

Using Adapter # 9013287 Hunter Douglas® Easy Rise™ (New) Headrail Adapters

Using Adapter # 9013443 Kensington® Deluxe Headrail Adapters

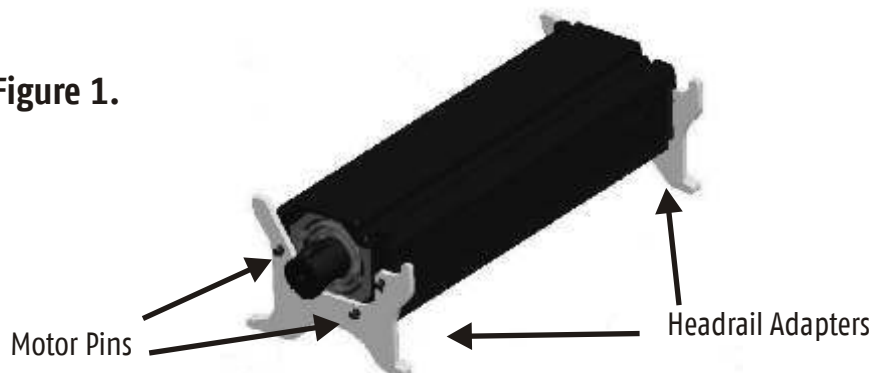
Compatible Headrails:

-HD EasyRise™ & Kensington® Deluxe Headrails

SYSTEM COMPONENTS

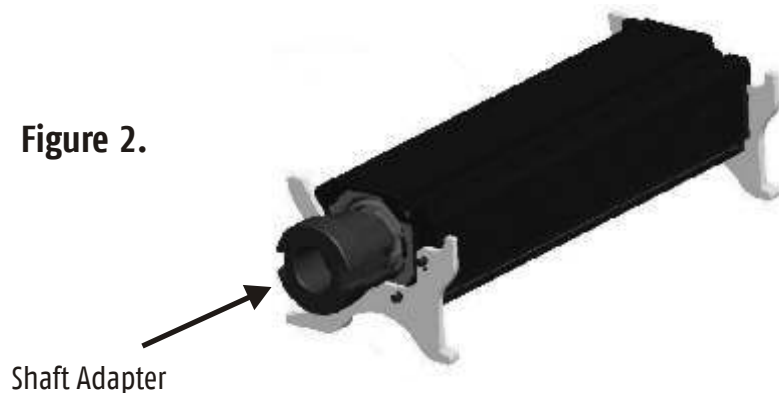
- 1) Attach the two headrail adapters to the CT32 motor as shown in **Figure 1**. It is best to use a flat blade screwdriver to firmly press the adapters on to the motor pins.

Figure 1.



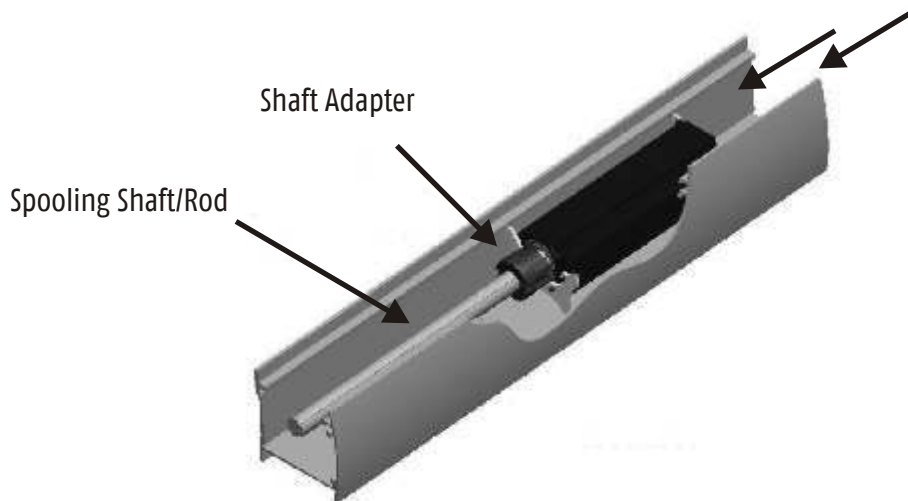
- 2) Press the shaft firmly onto the front shaft of the CT32 motor as shown in **Figure 2**. Adapter will "snap" into place and pivot loosely on the drive end of the motor.

Figure 2.



- 3) Slide Motor into the Headrail as shown in **Figure 3**. Align shaft adapter with spooling shaft/rod and push motor onto spooling shaft/rod until it is fully inserted into the shaft adapter. **Note: Do not push spooling shaft/rod too far into shaft/adapter, as the motor may become separated from the shaft adapter.**

Figure 3.



- 4) Insert screw into the small slot of the spooling shaft/rod where it enters the shaft adapter. Tighten screw 3 to 4 turns until snug to secure spooling shaft/rod to shaft adapter as shown in **Figure 4**.

Figure 4.

