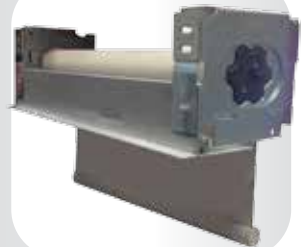
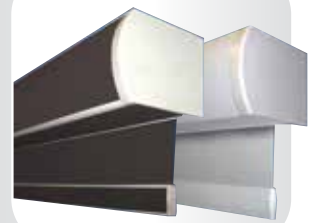


# ZMC Components

For Somfy Sonesse® Ultra 50 AC/DC Motor Applications



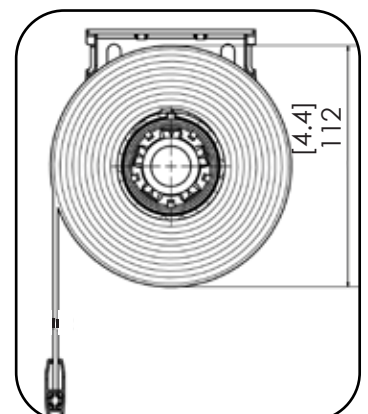
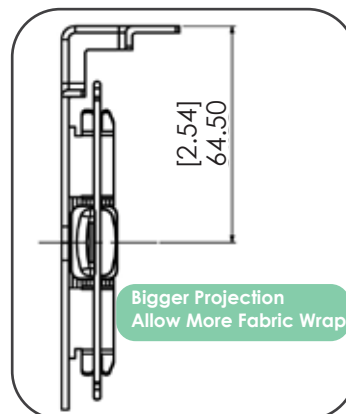
# Sonesse® Ultra 50 AC/DC Motor



## Motor End Brackets

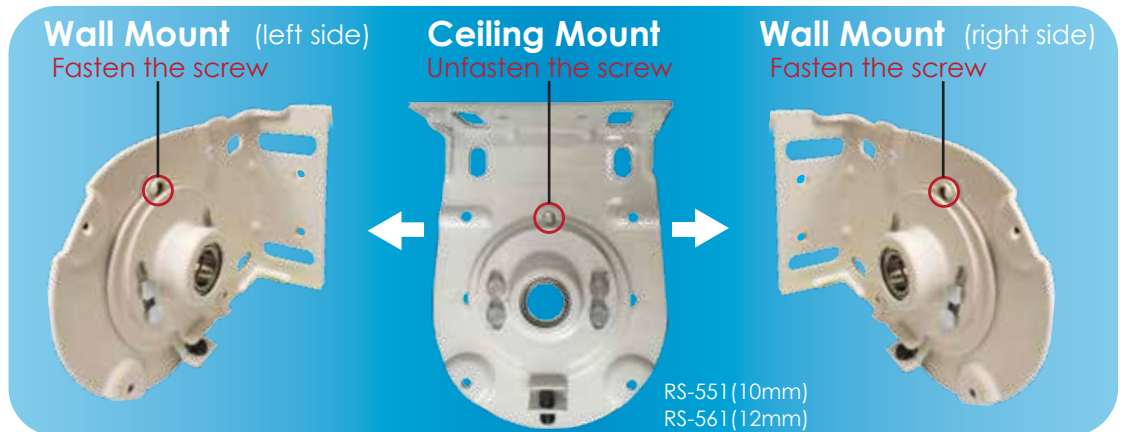


patent pending

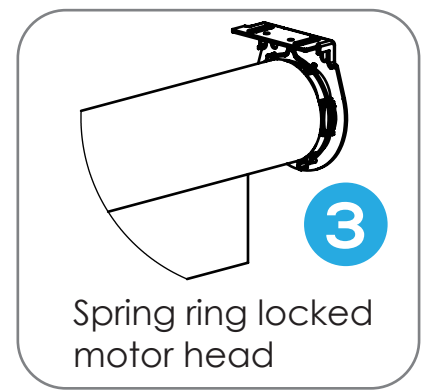
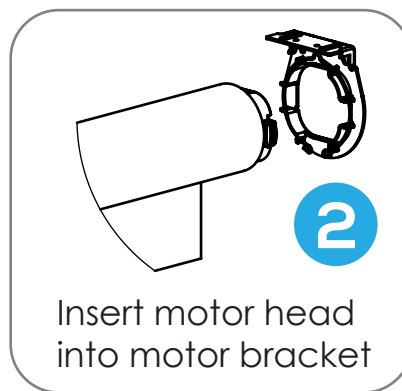
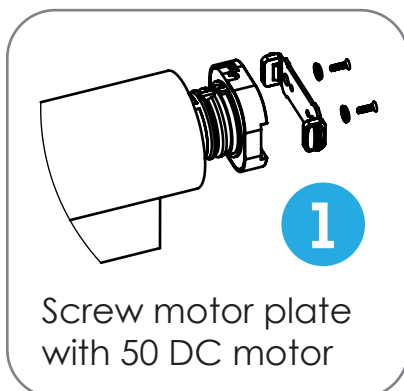


## Idle End Bracket

## Universal Adj. Wall/Ceiling Mount Bracket



## DC Motor Bracket Installation Steps:



# Ultra Quiet Rubberized Components

# Sonessa® Ultra 50 AC/DC Motor

## Ultra Retractable Idle End & Coupler/Indexable Coupler



Idle end  
RS-881 (12mm Shaft)  
RS-884 (10mm Shaft)  
(coming soon)



Coupler  
RS-882 (12mm Shaft)



Indexable Coupler  
RS-883 (12mm Shaft)  
RS-886 (10mm Shaft)  
(coming soon)



**Torque transferred via the drive end which is identical to drive end of Somfy motor**



**Retractable shaft for easy installation**



**Adaptable to any tube that has Somfy motor drive wheel**

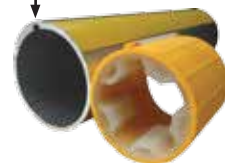


**Simple and effective way of leveling the bottom bar**

Use with 2" Groove Tube



Built in groove to fit drive key  
No notch needed



RS-013 RS-981

Use with 2 3/8" Tube



RS-033 RS-983 RS-975

Use with 2 1/2" Tube



RS-T66 RS-982 RS-984

# Table of Contents



## TUBE OPTIONS / FABRIC DROP

	2" SCREEN Maximum Drop	Blackout Maximum Drop
	<input type="checkbox"/>	<input type="checkbox"/>
	<input type="checkbox"/>	<input type="checkbox"/>

	2" SCREEN Maximum Drop	Blackout Maximum Drop
	<input type="checkbox"/>	<input type="checkbox"/>
	<input type="checkbox"/>	<input type="checkbox"/>

	2" SCREEN Maximum Drop	Blackout Maximum Drop
	<input type="checkbox"/>	<input type="checkbox"/>
	<input type="checkbox"/>	<input type="checkbox"/>

	2" SCREEN Maximum Drop	Blackout Maximum Drop
	<input type="checkbox"/>	<input type="checkbox"/>
	<input type="checkbox"/>	<input type="checkbox"/>

1-2

## OPEN ROLL MOTOR BRACKETS



3-4

## ULTRA RETRACTABLE IDLE END / COUPLERS



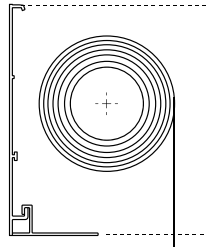
5-6

## 4" FASCIA SYSTEM



7-8

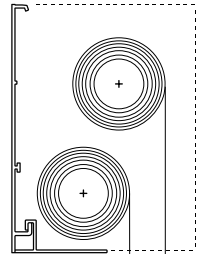
## 5.5" FASCIA SYSTEM



9-11

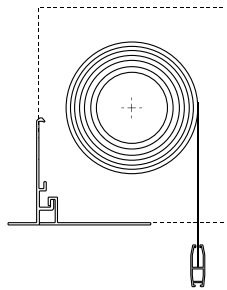
## 7.5" DUO SHADE FASCIA SYSTEM

coming soon



12-14

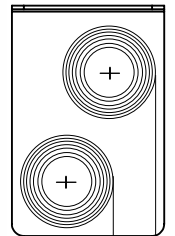
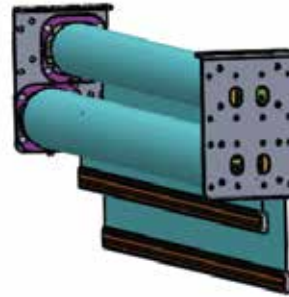
## 5.5" SMART HEAD BOX



15-16

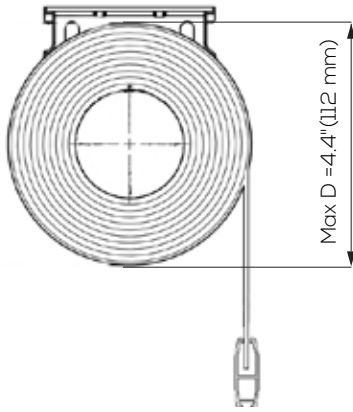
## DUO SHADE OPEN ROLL SYSTEM

coming soon






17-18

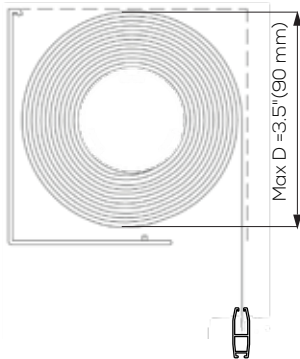
# Tube Options / Fabric Drop



## Open Roll System




**MAXIMUM FABRIC DROP**  
(Maximum Dia=4.4"/112mm)

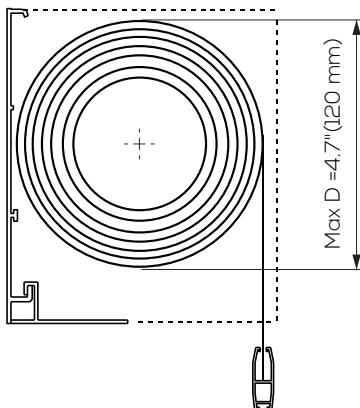
Tube	2" / 50mm	2-3/8" / 60mm	2-1/2" / 64mm
<b>Fabric</b>	 RS-013	 RS-033	 RS-T66
<b>Sun Screen</b> (0.036"/0.91mm thickness)	28ft/8.5m	26ft/8m	24ft/7.3m
<b>Blackout</b> (0.022"/0.55mm thickness)	47ft/14.3m	42ft/12.8m	39ft/11.9m



## 4" Fascia System




**MAXIMUM FABRIC DROP**  
(Maximum Dia=3.5"/90mm)

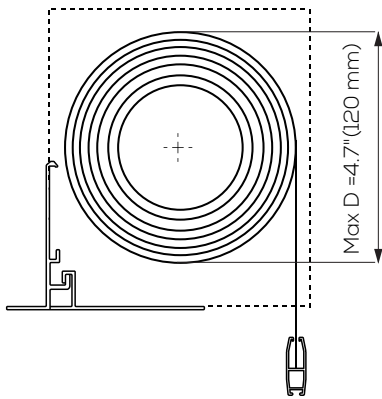
Tube	2" / 50mm	2-3/8" / 60mm	2-1/2" / 64mm
<b>Fabric</b>	 RS-013	 RS-033	 RS-T66
<b>Sun Screen</b> (0.036"/0.91mm thickness)	15ft/4.6m	12ft/3.7m	11ft/3.3m
<b>Blackout</b> (0.022"/0.55mm thickness)	26ft/7.9m	21ft/6.4m	18ft/5.5m



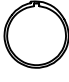


## 5.5" Fascia System

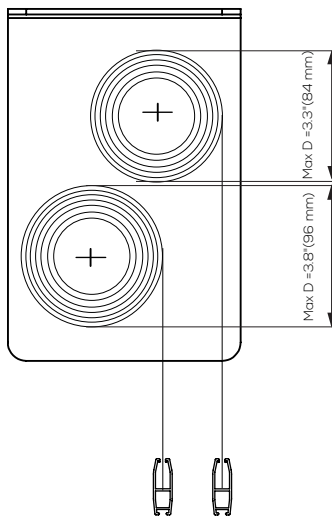
**MAXIMUM FABRIC DROP**  
(Maximum Dia=4.7"/120mm)

Tube	2" / 50mm	2-3/8" / 60mm	2-1/2" / 64mm
<b>Fabric</b>	 RS-013	 RS-033	 RS-T66
<b>Sun Screen</b> (0.036"/0.91mm thickness)	34ft/10.4m	31ft/9.5m	29ft/8.8m
<b>Blackout</b> (0.022"/0.55mm thickness)	55ft/16.8m	51ft/15.5m	48ft/14.6m






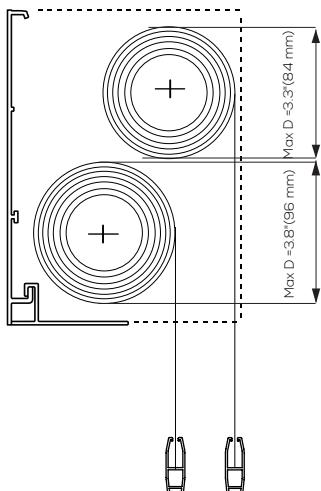
## 5.5" Head Box System

Tube	2" / 50mm	2- 3/8 " / 60mm	2- 1/2 " / 64mm
<b>Fabric</b>	 RS-013	 RS-033	 RS-T66
<b>Sun Screen</b> (0.036"/0.91mm thickness)	34ft/10.4m	31ft/9.5m	29ft/8.8m
<b>Blackout</b> (0.022"/0.55mm thickness)	55ft/16.8m	51ft/15.5m	48ft/14.6m






## Duo Shade Open Roll System

Tube	2" / 50mm	2- 3/8 " / 60mm	2- 1/2 " / 64mm
<b>Fabric</b>	 RS-013	 RS-033	 RS-T66
<b>Sun Screen</b> (0.036"/0.91mm thickness)	22ft/6.7m	16ft/4.9m	15ft/4.6m
<b>Blackout</b> (0.022"/0.55mm thickness)			



## 7.5" Duo Shade Fascia System




Tube	2" / 50mm	2- 3/8 " / 60mm	2- 1/2 " / 64mm
<b>Fabric</b>	 RS-013	 RS-033	 RS-T66
<b>Sun Screen</b> (0.036"/0.91mm thickness)	22ft/6.7m	16ft/4.9m	15ft/4.6m
<b>Blackout</b> (0.022"/0.55mm thickness)			

# Open Roll Motor Brackets



## MAXIMUM FABRIC DROP

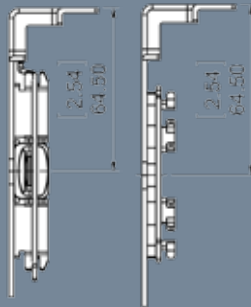
(Maximum Dia=4.4"/112mm)

Tube	2" / 50mm	2-3/8" / 60mm	2-1/2" / 64mm
Fabric	 RS-013	 RS-033	 RS-T66
Sun Screen (0.036"/0.91mm thickness)	28ft/8.5m	26ft/8m	24ft/7.3m
Blackout (0.022"/0.55mm thickness)	47ft/14.3m	42ft/12.8m	39ft/11.9m

### Sonesse Ultra AC/DC 50 Motor Brackets



allows more fabric wrap.



### Brackets with 2.54" Projection



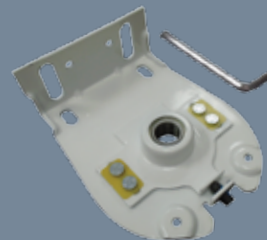
Allows more fabric wrap  
Reversible Heavy Duty  
Bottom Bar

### Adjustable Wall / Ceiling Mount Idle End & Intermediate Bracket



The same bracket with one screw allows you to rotate the assembly depending on orientation

### Adjustable Idle End and Intermediate Bracket



Ensure your shades roll up perfectly straight with our Adjustable Brackets, only from ZMC

### Ultra Retractable/Indexable Couplers

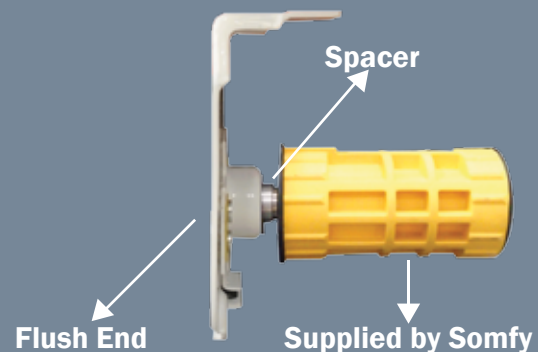


Torque transferred via the drive end which is identical to drive end of Somfy motor

Adaptable to any tube that has Somfy motor drive wheel

Retractable function for easy installation

Simple and effective way of levelling the bottom bar



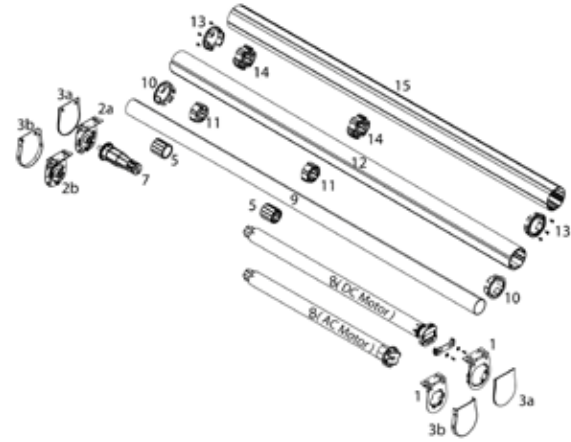
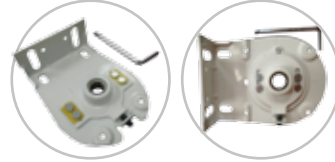


## SINGLE BAND APPLICATION

Motor Bracket



Idle End Bracket

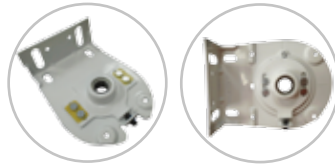


## MULTI-BAND APPLICATION

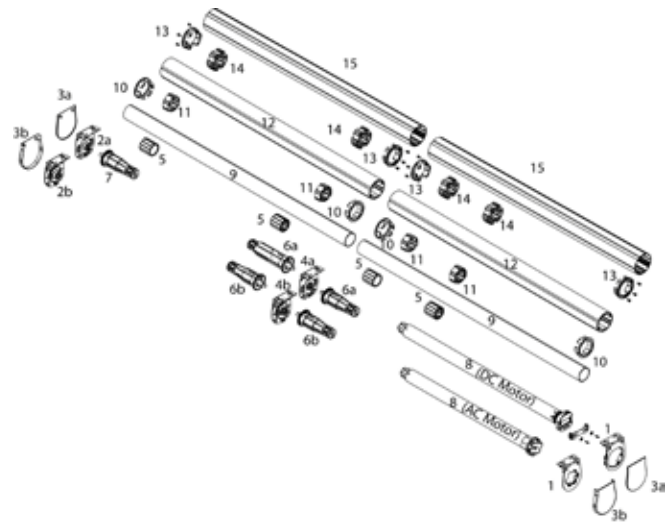
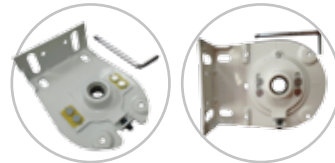
Motor Bracket



Intermediate Bracket



Idle End Bracket

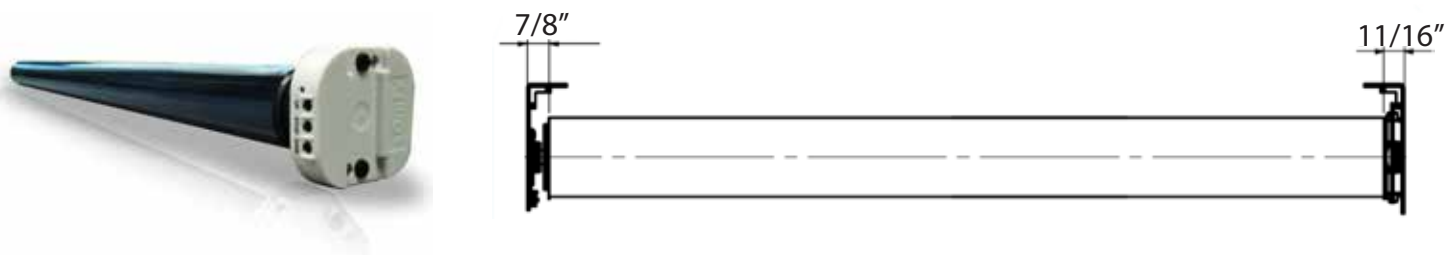


#	DESCRIPTION	ITEM #	CATALOG PAGE
1	ST50 DC Motor Bracket with Spring Ring/ 2 1/2" Projection Star Head Motor Bracket with Spring Ring	RS-911/RS-871	A-15/M-2
2a	Adj. Idle End Bracket for ST50 DC Motor (10mm/12mm)	RS-921/RS-931	M-2
2b	Adj. Wall/Ceiling Mount Idle End Brk for ST50 DC (10mm/12mm)	RS-551/RS-561	M-2
3a	End Cap for ST50 DC Motor Bracket	RS-961	M-2
3b	End Cap with Wide Lip for ST50 DC Motor Bracket	RS-991	M-2
4a	Adj. Intern. Bracket for ST50 DC Motor(10mm/12mm)	RS-941/RS-951	M-2
4b	Adj. Wall/Ceiling Mount Interm. Brk for ST50 DC (10mm/12mm)	RS-571/RS-581	M-2
5	2" Grooved Tube Ultra Drive	RS-981	M-1
6a	Ultra Indexable Coupler with 10mm/12mm Shaft	**RS-886/RS-883	M-3
6b	Ultra Retractable Coupler with 12mm Shaft	RS-882	M-3
7	Ultra Retractable Idle End with 10mm/12mm Shaft	**RS-884/RS-881	M-3
8	Sonesse Ultra 50 AC Motor / 50 DC Motor	Supplied by somfy	
9	2" Grooved Tube	RS-013	M-1
10	2 3/8" Crown for ST50 AC/DC Motor	RS-975	M-1
11	2 3/8" Tube Ultra Drive	RS-983	M-1
12	2 3/8" Tube	RS-033	M-1
13	2 1/2" Crown	RS-984	M-1
14	2 1/2" Tube Ultra Drive	RS-982	M-1
15	2 1/2" Tube	RS-T66	M-1

Note: \*=COLOR refer to the catalog page for color availability

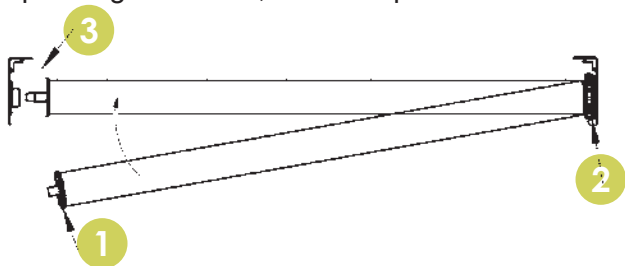
\*\* = coming soon

# Retractable Idle End & Coupler



## Functional and easy to install

- Step 1. Retract Idle End by turning wheel
- Step 2. Insert into motor side
- Step 3. Align Idle End, release spindle

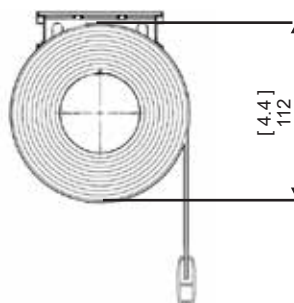
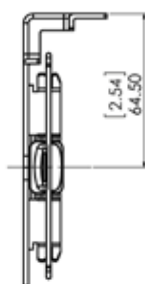


Ultra Retractable Idle End

## Allows more fabric wrap

Maximum drop:  
30 feet (9 meters)

Maximum diameter:  
4.4" (112 mm)



## Intermediate Brackets available for multi-band shades in 10mm/12 mm



(Maximum torque: 50 Nm)

## Idle End Brackets & Ultra Retractable Idle Ends available in 10mm/12 mm



Retractable  
Idle End

## Adjustable Wall/Ceiling Mount Intermediate / Idle End Brackets

Wall Mount

Ceiling Mount



- Indexable for Universal Wall Mount & Ceiling Mount.
- Leveling adjustment  $\pm 3\text{mm}$ .
- 10 mm & 12 mm available.
- Patent Number : US 8967568

Bracket



RS-931 (ID=12mm)  
RS-921 (ID=10mm)

Spacer



RS-041 (ID=12 mm)  
RS-042 (ID=10 mm)

Pin End



Supplied by Somfy

COLORS AVAILABLE






White

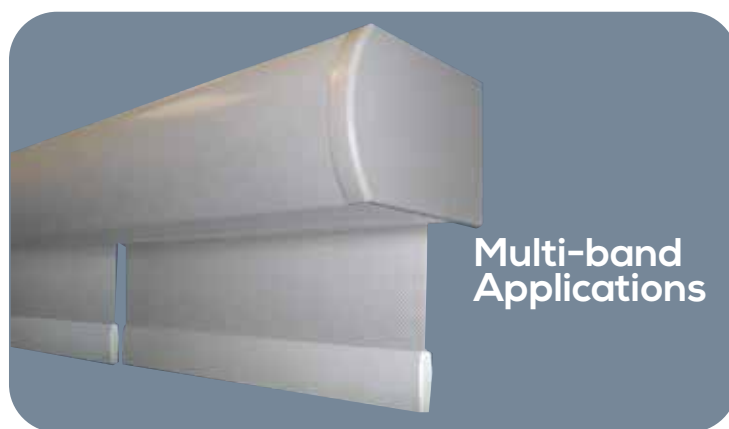
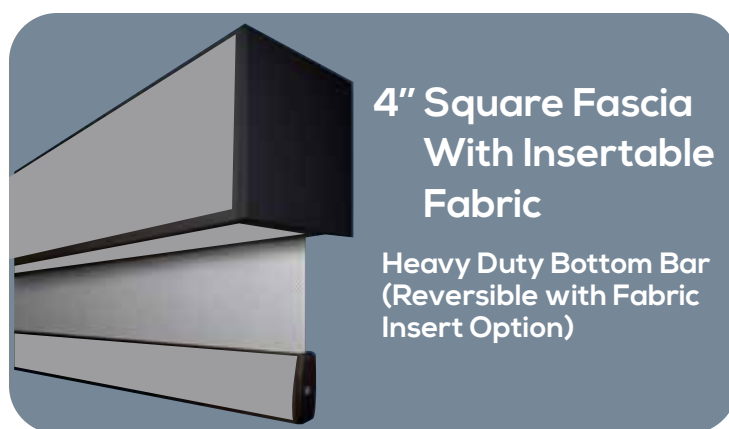
# 4" Fascia System



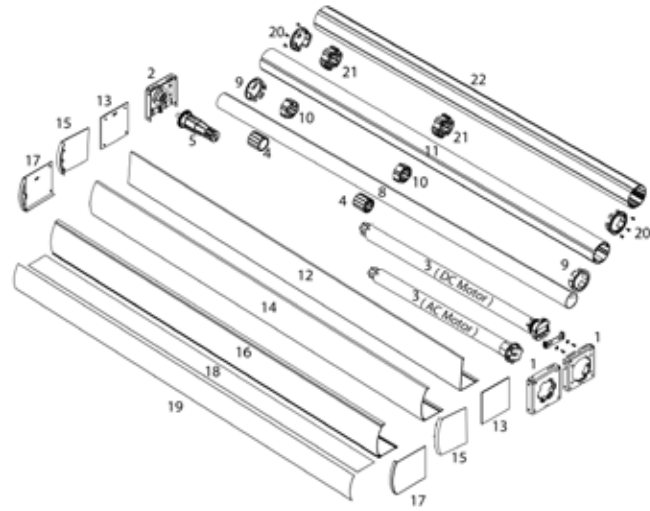
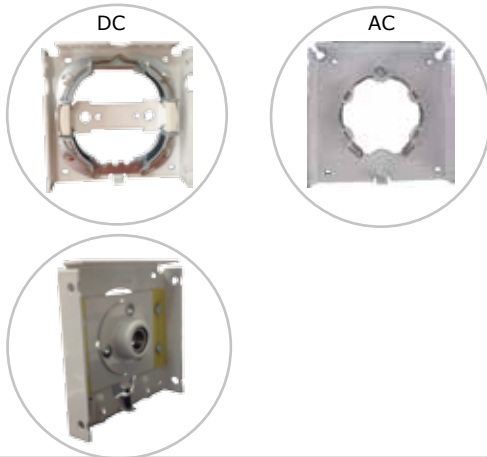
## MAXIMUM FABRIC DROP

(Maximum Dia=3.5"/90mm)

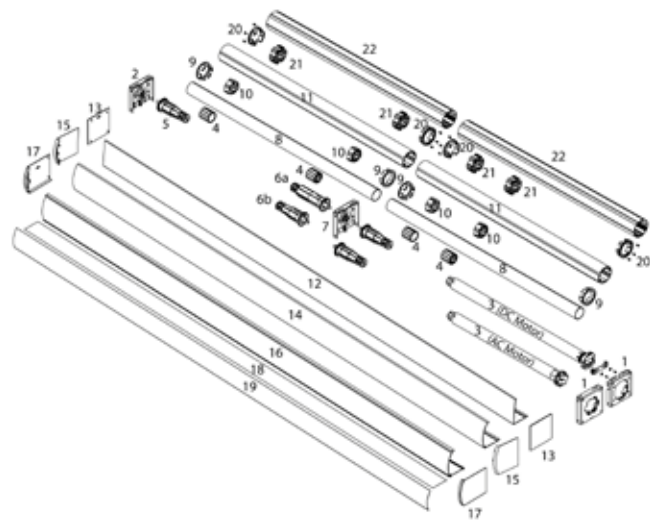
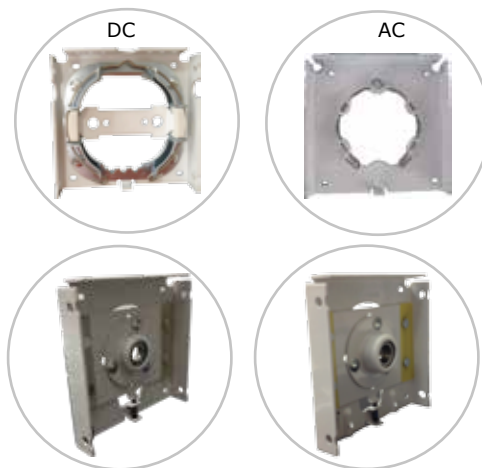
Tube	2" / 50mm	2- 3/8" / 60mm	2- 1/2" / 64mm
Fabric	 RS-013	 RS-033	 RS-T66
Sun Screen (0.036"/0.91mm thickness)	15ft/4.6m	12ft/3.7m	11ft/3.3m
Blackout (0.022"/0.55mm thickness)	26ft/7.9m	21ft/6.4m	18ft/5.5m



## SINGLE BAND APPLICATION



## MULTI-BAND APPLICATION



#	DESCRIPTION	ITEM #	CATALOG PAGE
1	4" Fascia Bracket for ST50 DC Motor/ Star Head Motor Bracket with Spring Ring	RS-811/RS-54*	M-3/A-3
2	Adj. Idle End Bracket (10mm / 12mm)	RS-85*/RS-86*	A-4
3	Sonesse Ultra 50 AC Motor / 50 DC Motor		Supplied by Somfy
4	2" Groove Tube Ultra Drive	RS-981	M-1
5	Ultra Retractable Idle End with 10mm/12mm Shaft	**RS-884/RS-881	M-3
6a	Ultra Indexable Coupler with 10mm/12mm Shaft	**RS-886/RS-883	M-3
6b	Ultra Retractable Coupler with 12mm Shaft	RS-882	M-3
7	4" Adj. Interm Fascia Bracket (10mm / 12mm)	RS-83*/RS-84*	A-4
8	2" Groove Tube	RS-013	M-1
9	2 3/8" Crown for ST50 AC/DC Motor	RS-975	M-1
10	2 3/8" Tube Ultra Drive	RS-983	M-1
11	2 3/8" Tube	RS-033	M-1
12	4" Square Fascia	RS-SC*	C-1
13	4" Square Fascia End Cap	RS-UI*	C-4
14	4" Curved Fascia	RS-SD*	C-1
15	4" Curved Fascia End Cap	RS-UK*	C-4
16	4" Curved Fascia w/Fabric Insert	RS-SU*	C-1
17	End Cap for 4" Curved Fascia w/Fabric Insert	RS-VP*	C-4
18	66MM Adhesive Backing for Inserted Fabric	RS-086	C-1
19	104MM Adhesive Backing for Inserted Fabric	RS-085	C-1
20	2 1/2" Crown	RS-984	M-1
21	2 1/2" Tube Ultra Drive	RS-982	M-1
22	2 1/2" Tube	RS-T66	M-1

Note: \*=COLOR refer to the catalog page for color availability




\*\*= coming soon

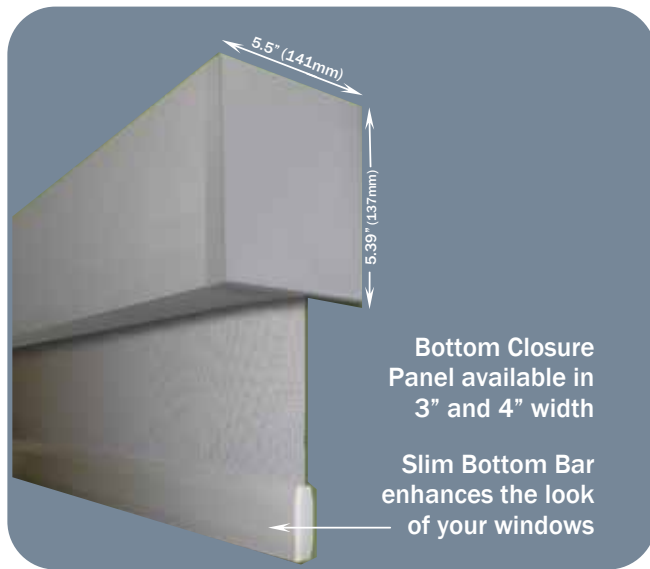
# 5.5" Fascia System



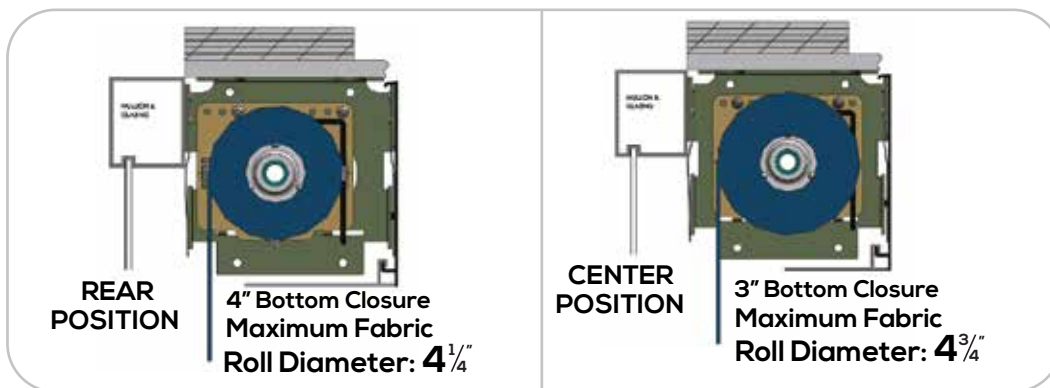
## MAXIMUM FABRIC DROP

(Maximum Dia=4.7"/120mm)

Tube	2" / 50mm	2- 3/8 " / 60mm	2- 1/2 " / 64mm
Fabric	 RS-013	 RS-033	 RS-T66
Sun Screen (0.036"/0.91mm thickness)	34ft/10.4m	31ft/9.5m	29ft/8.8m
Blackout (0.022"/0.55mm thickness)	55ft/16.8m	51ft/15.5m	48ft/14.6m



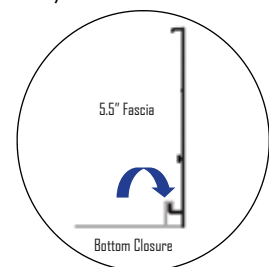
Up to 40' fabric drop with Bottom Closure Panel for easy maintenance



5.5" Bracket with Adjustable Center allows for various fabric roll diameter.

## Bottom Closure Panel

can be easily removed for simple access to the roller shade system.



## COLORS AVAILABLE



White

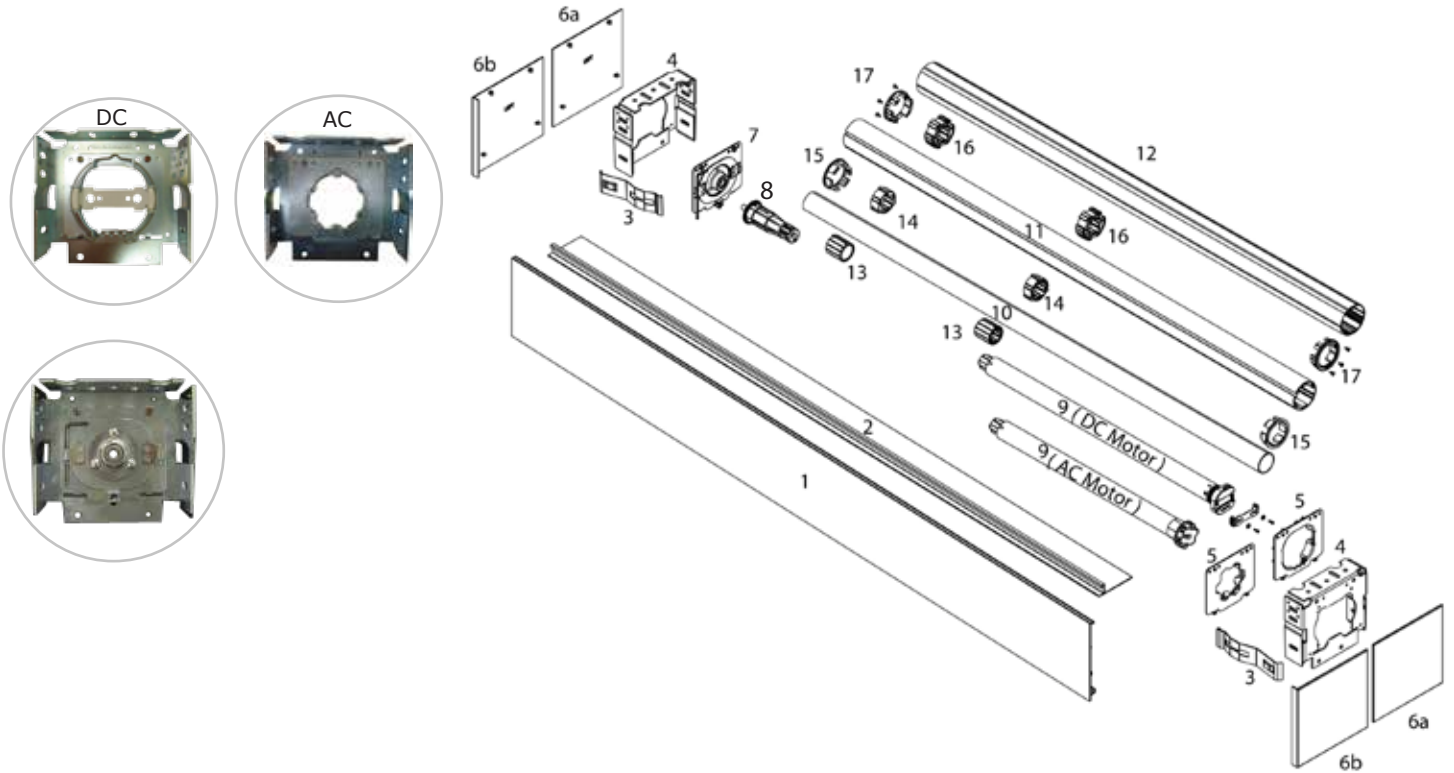


Anodized



Bronze

## SINGLE-BAND APPLICATION



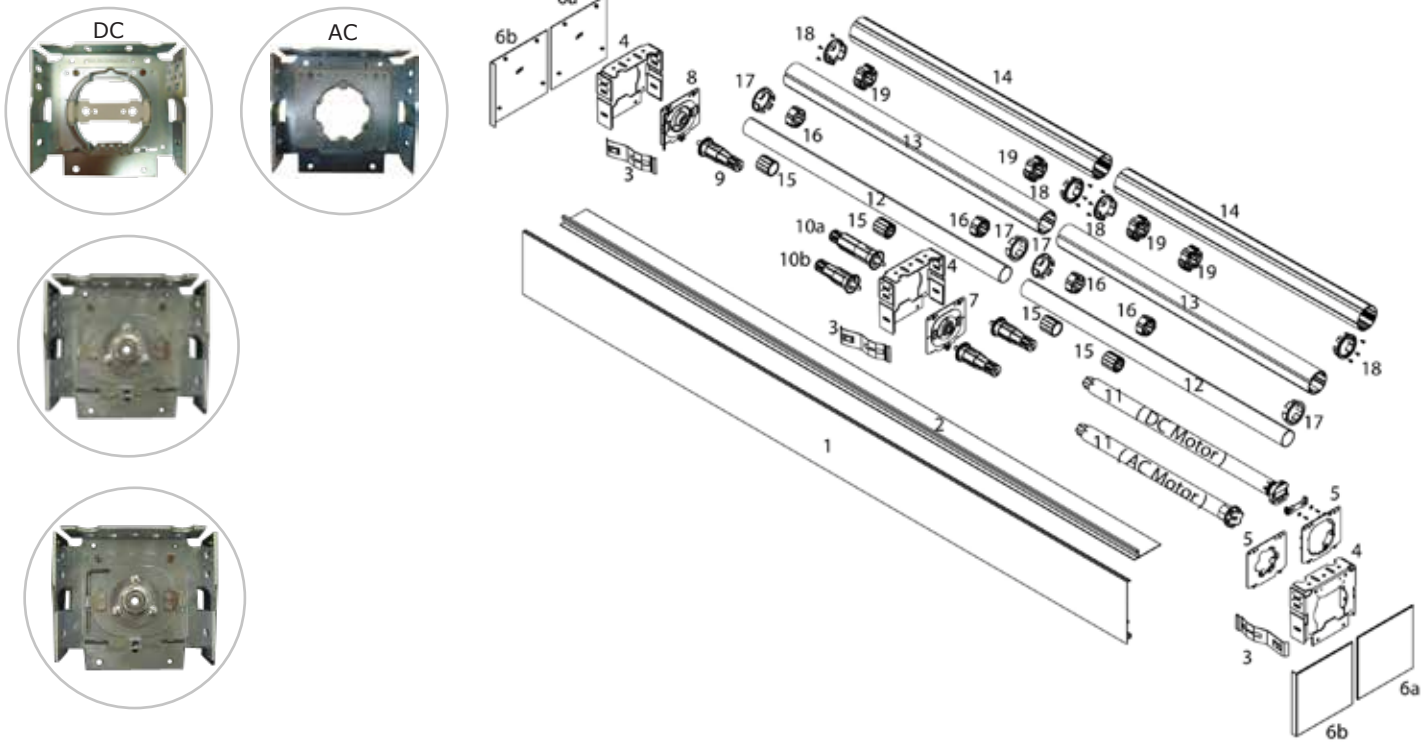
#	DESCRIPTION	ITEM #	CATALOG PAGE
1	5.5" Square Fascia	RS-SV*	A-2
2	3"/4" Bottom Closure Panel	RS-SR*/SS*	A-2
3	Spring Lock for 5.5" Square Fascia	RS-YC9	A-2
4	5.5" Universal Bracket	RS-YF1	A-2
5	ST50 DC Motor Insert Plate for RS-YF1 Star Head Motor Insert Plate for RS-YF1	RS-YF5/RS-YC2	B-1
6a	5.5" Square Fascia End Caps	RS-YE*	A-2
6b	5.5" Square Fascia End Caps with Lip	RS-YD*	A-2
7	Idle End Insert Plate(12mm)for RS-YF1	RS-YC4	B-1
8	Ultra Retractable Idle End with 12mm Shaft	RS-881	M-3
9	Sonesse Ultra 50 AC Motor / 50 DC Motor		Supplied by Somfy
10	2" Groove Tube	RS-013	M-1
11	2 3/8" Tube	RS-033	M-1
12	2 1/2" Tube	RS-T66	M-1
13	2" Groove Tube Ultra Drive	RS-981	M-1
14	2 3/8" Tube Ultra Drive	RS-983	M-1
15	2 3/8" Crown for ST50 AC/DC Motor	RS-975	M-1
16	2 1/2" Tube Ultra Drive	RS-982	M-1
17	2 1/2" Crown	RS-984	M-1

Note: \*=COLOR refer to the catalog page for color availability

# 5.5" Fascia System



## MULTI-BAND APPLICATION






#	DESCRIPTION	ITEM #	CATALOG PAGE
1	5.5" Square Fascia	RS-SV*	A-2
2	3"/4"Bottom Closure Panel	RS-SR*/SS*	A-2
3	Spring Lock for 5.5" Square Fascia	RS-YC9	A-2
4	5.5" Universal Bracket	RS-YF1	A-2
5	ST50 DC Motor Insert Plate for RS-YF1 Star Head Motor Insert Plate for RS-YF1	RS-YF5/RS-YC2	B-1
6a	5.5" Square Fascia End Caps	RS-YE*	A-2
6b	5.5" Square Fascia End Caps with Lip	RS-YD*	A-2
7	Intermediate Insert Plate (12mm) for RS-YF1	RS-YC5	B-1
8	Idle End Insert Plate(12mm)for RS-YF1	RS-YC4	B-1
9	Ultra Retractable Idle End with 12mm Shaft	RS-881	M-3
10a	Ultra Indexable Coupler with 12mm Shaft	RS-883	M-3
10b	Ultra Retractable Coupler with 12mm Shaft	RS-882	M-3
11	Sonnesse Ultra 50 AC Motor / 50 DC Motor		Supplied by Somfy
12	2" Groove Motor Tube	RS-013	M-1
13	2 3/8" Tube	RS-033	M-1
14	2 1/2" Tube	RS-T66	M-1
15	2" Groove Tube Ultra Drive	RS-981	M-1
16	2 3/8" Tube Ultra Drive	RS-983	M-1
17	2 3/8" Crown for ST50 AC/DC Motor	RS-975	M-1
18	2 1/2"Crown	RS-984	M-1
19	2 1/2"Tube Ultra Drive	RS-982	M-1

Note: \*=COLOR refer to the catalog page for color availability

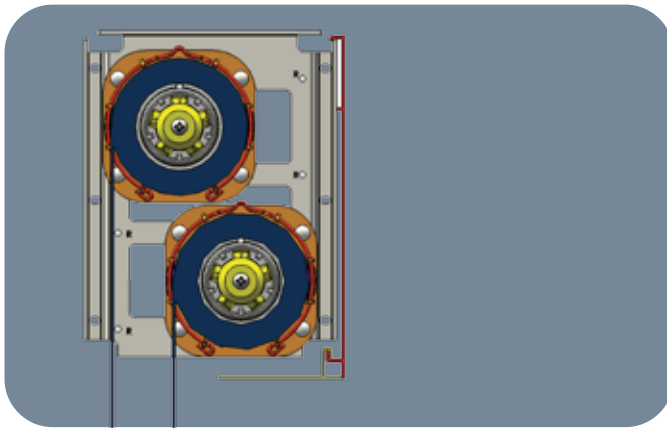


# 7.5" Duo Shade Fascia System



Tube	2" / 50mm	2- 3/8 " / 60mm	2- 1/2 " / 64mm
<b>Fabric</b>	 RS-013	 RS-033	 RS-T66
<b>Sun Screen</b> (0.036"/0.91mm thickness)	22ft/6.7m	16ft/4.9m	15ft/4.6m
<b>Blackout</b> (0.022"/0.55mm thickness)			

available soon



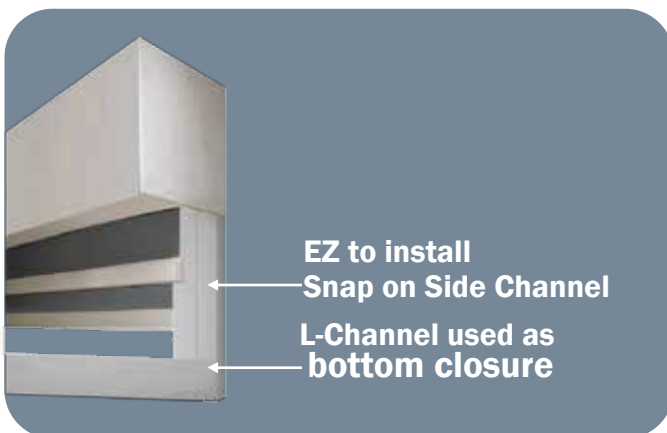
**Bottom closure panel can be easily installed / removed**



**Allows both light filtering and room darkening.**

**Slim Bottom Bar enhances the look of your windows**

**Provides a clean and modern appearance to any location**



**EZ to install**  
**Snap on Side Channel**  
**L-Channel used as bottom closure**

**Optional Side Channel Application for a complete blackout**

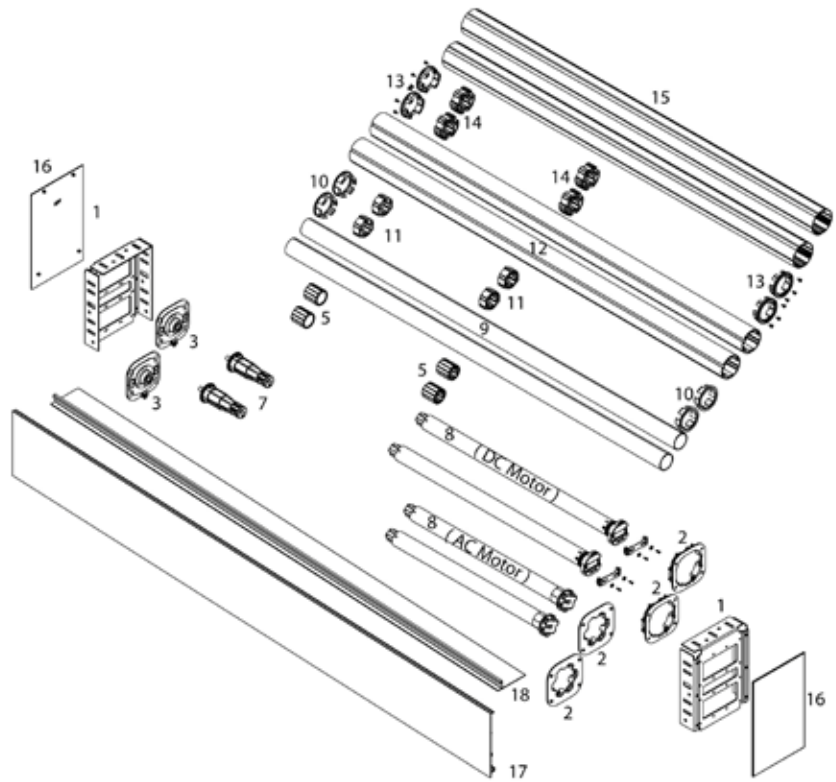
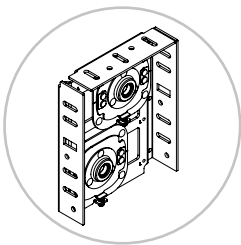
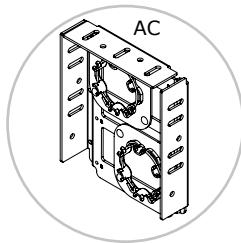
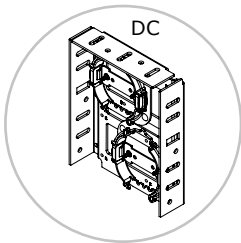


**Specifically designed for all industrial and commercial applications**

# 7.5" Duo Shade Fascia System Sonesse® Ultra 50 AC/DC Motor

available soon

## SINGLE-BAND APPLICATION



#	DESCRIPTION	ITEM #	CATALOG PAGE
1	7.5" Duo Fascia Bracket	Coming soon	
2	ST50 DC Motor Insert Plate w/ Spring Ring Star Head Motor Insert Plate w/ Spring Ring	RS-546 / Coming soon	M-3
3	Adj. Idle End Insert Plate with 12mm Bearing	RS-547	M-3
5	2" Grooved Tube Ultra Drive	RS-981	M-1
7	Ultra Retractable Idle End with 12mm Shaft	RS-881	M-3
8	Sonesse Ultra 50 AC Motor / 50 DC Motor	Supplied by somfy	
9	2" Grooved Tube	RS-013	M-1
10	2 3/8" Crown for ST50 AC/DC Motor	RS-975	M-1
11	2 3/8" Tube Ultra Drive	RS-983	M-1
12	2 3/8" Tube	RS-033	M-1
13	2 1/2" Crown	RS-984	M-1
14	2 1/2" Tube Ultra Drive	RS-982	M-1
15	2 1/2" Tube	RS-T66	M-1
16	7.5" Duo End Cap		
17	7.5" Duo Fascia		
18	3" Bottom Closure Panel	RS-SR*	A-2

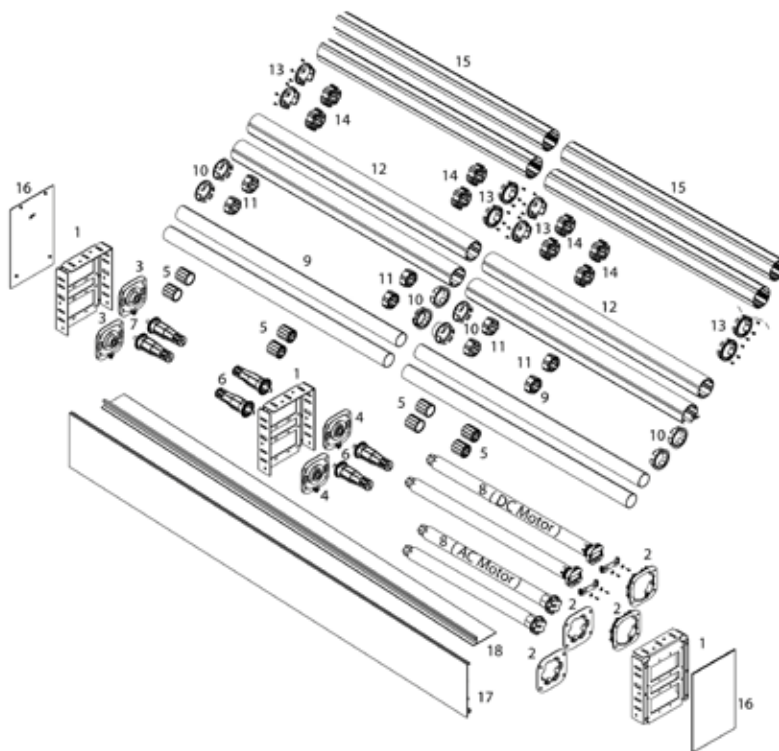
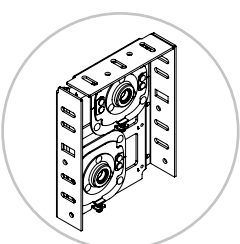
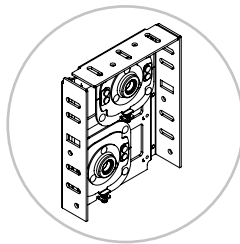
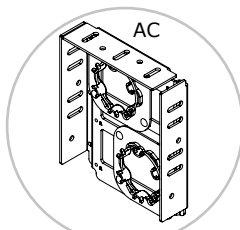
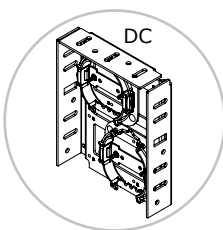
Note: \*=COLOR refer to the catalog page for color availability

# 7.5" Duo Shade Fascia System



available soon

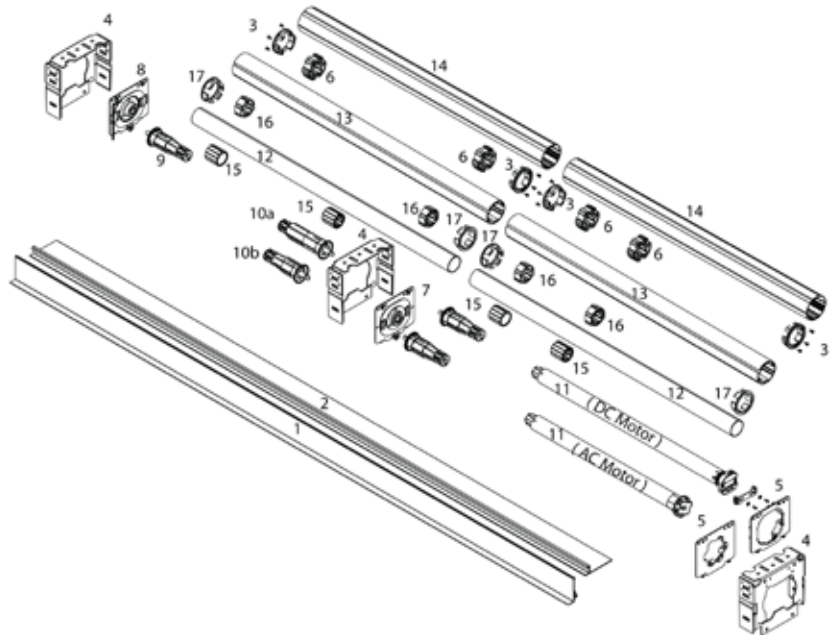
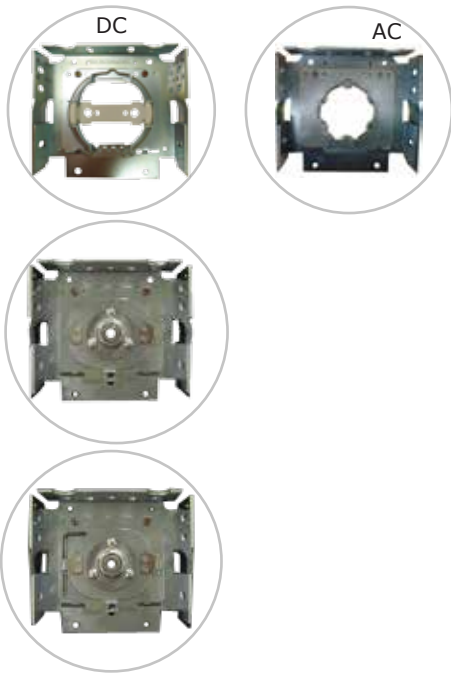
## MULTI-BAND APPLICATION



#	DESCRIPTION	ITEM #	CATALOG PAGE
1	7.5" Duo Fascia Bracket	Coming soon	
2	ST50 DC Motor Insert Plate w/ Spring Ring Star Head Motor Insert Plate w/ Spring Ring	RS-546 / Coming soon	M-3
3	Adj. Idle End Insert Plate with 12mm Bearing	RS-547	M-3
4	Adj. Intermediate Insert Plate with 12mm Bearing	RS-548	M-3
5	2" Grooved Tube Ultra Drive	RS-981	M-1
6	Ultra Retractable Coupler with 12mm Shaft	RS-882	M-3
7	Ultra Retractable Idle End with 12mm Shaft	RS-881	M-3
8	Soness Ultra 50 AC Motor / 50 DC Motor	Supplied by somfy	
9	2" Grooved Tube	RS-013	M-1
10	2 3/8" Crown for ST50 AC/DC Motor	RS-975	M-1
11	2 3/8" Tube Ultra Drive	RS-983	M-1
12	2 3/8" Tube	RS-033	M-1
13	2 1/2" Crown	RS-984	M-1
14	2 1/2" Tube Ultra Drive	RS-982	M-1
15	2 1/2" Tube	RS-T66	M-1
16	7.5" Duo End Cap		
17	7.5" Duo Fascia		
18	3" Bottom Closure Panel	RS-SR*	A-2

Note: \*=COLOR refer to the catalog page for color availability

## AVAILABLE FOR SINGLE BAND AND MULTI-BAND APPLICATIONS



#	DESCRIPTION	ITEM #	CATALOG PAGE
1	Side Closure Panel	RS-SQ1	F-1
2	3" Bottom Closure Panel/4" Bot. Closure Panel	RS-SR1/RS-SS1	F-1
3	2 1/2" Crown	RS-984	M-1
4	5.5" Universal Bracket	RS-YF1	A-2
5	ST50 DC Motor Insert Plate for RS-YF1 / Star Head Motor Insert Plate for RS-YF1	RS-YF5/RS-YC2	B-1
6	2 1/2" Tube Ultra Drive	RS-982	M-1
7	Intermediate Insert Plate (12mm) for RS-YF1	RS-YC5	B-1
8	Idle End Insert Plate(12mm)for RS-YF1	RS-YC4	B-1
9	Ultra Retractable Idle End with 12mm Shaft	RS-881	M-3
10a	Ultra Indexable Coupler with 12mm Shaft	RS-883	M-3
10b	Ultra Retractable Coupler with 12mm Shaft	RS-882	M-3
11	Sonesse Ultra 50 AC Motor / 50 DC Motor		Supplied by Somfy
12	2" Groove Motor Tube	RS-013	M-1
13	2 3/8" Tube	RS-033	M-1
14	2 1/2" Tube	RS-T66	M-1
15	2" Groove Tube Ultra Drive	RS-981	M-1
16	2 3/8" Tube Ultra Drive	RS-983	M-1
17	2 3/8" Crown for ST50 AC/DC Motor	RS-975	M-1

Note: \*=COLOR refer to the catalog page for color availability

# 5.5" Smart Head Box

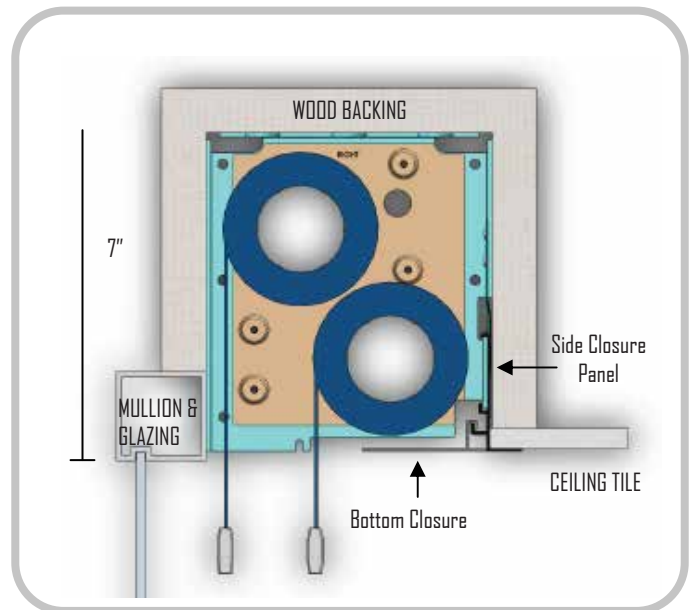
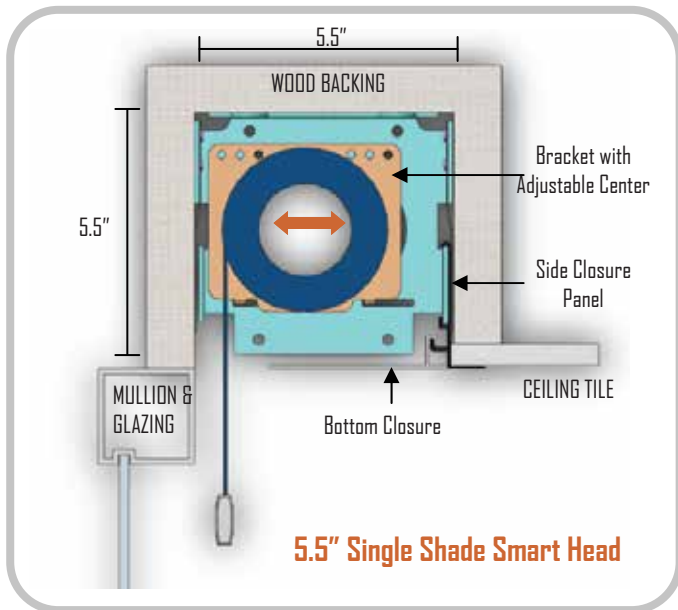
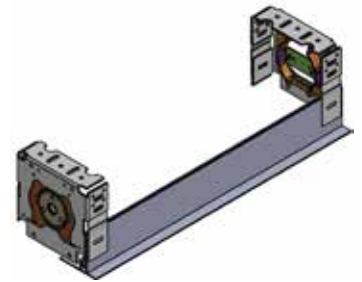


Innovative design allows easy installation and a cost-effective option with huge savings on aluminum material

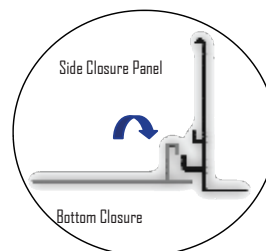
Can be used with 2" Tube, 2 3/8" Tube, 2 1/2" tube or larger tube diameter available

OLD DESIGN

NEW DESIGN



Patent Pending Bracket has an adjustable center which allows positioning of fabric closer to the window translating in heat lost reduction.

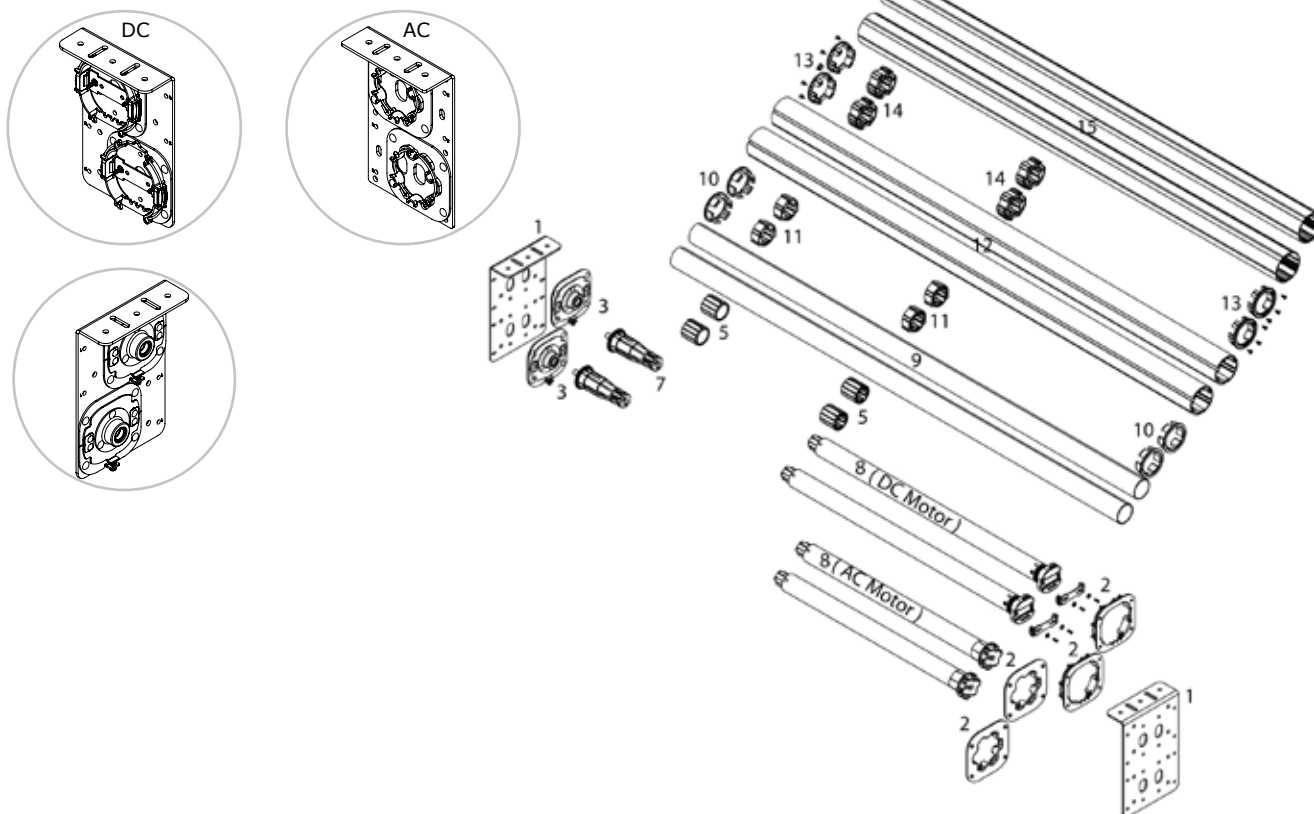


Bottom Closure panel can be easily removed for simple access to the roller shade system.

Available in 3" and 4" width.

available soon

## SINGLE-BAND APPLICATION



#	DESCRIPTION	ITEM #	CATALOG PAGE
1	Open Roll Duo Bracket	Coming soon	
2	ST50 DC Motor Insert Plate w/ Spring Ring Star Head Motor Insert Plate w/ Spring Ring	RS-546 / Coming soon	M-3
3	Adj. Idle End Insert Plate with 12mm Bearing	RS-547	M-3
5	2" Grooved Tube Ultra Drive	RS-981	M-1
7	Ultra Retractable Idle End with 12mm Shaft	RS-881	M-3
8	Sonesse Ultra 50 AC Motor / 50 DC Motor	Supplied by somfy	
9	2" Grooved Tube	RS-013	M-1
10	2 3/8" Crown for ST50 AC/DC Motor	RS-975	M-1
11	2 3/8" Tube Ultra Drive	RS-983	M-1
12	2 3/8" Tube	RS-033	M-1
13	2 1/2" Crown	RS-984	M-1
14	2 1/2" Tube Ultra Drive	RS-982	M-1
15	2 1/2" Tube	RS-T66	M-1

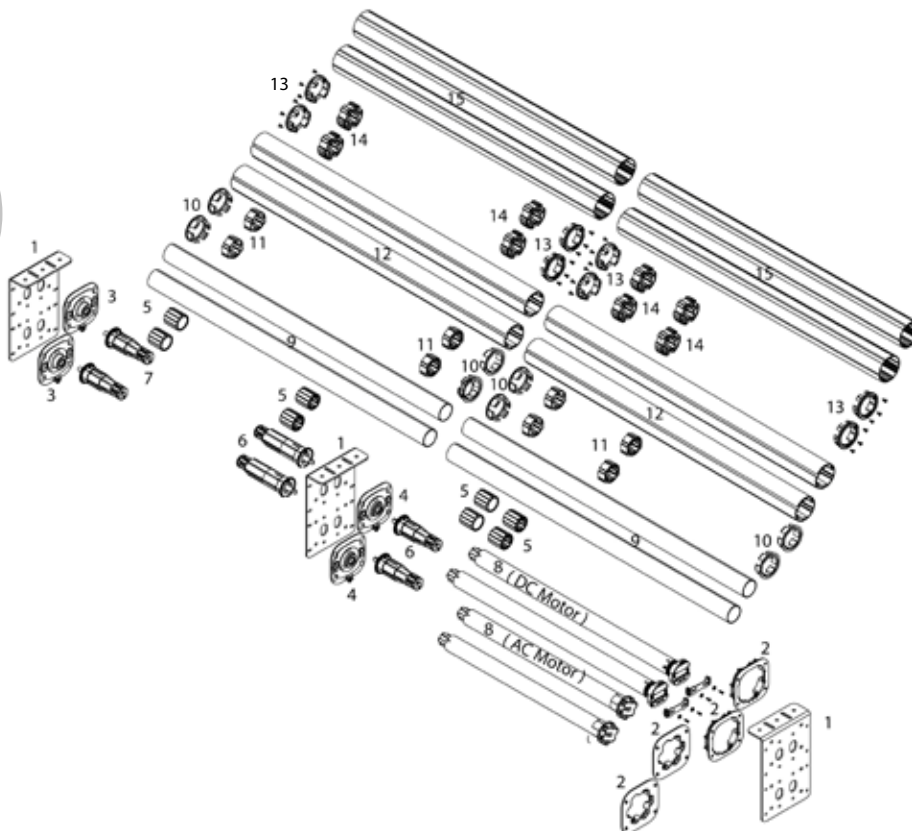
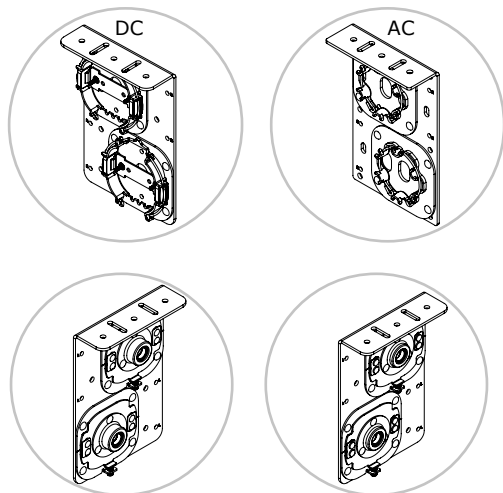
Note: \*=COLOR refer to the catalog page for color availability

# Duo Shade Open Roll System



available soon

## MULTI-BAND APPLICATION



#	DESCRIPTION	ITEM #	CATALOG PAGE
1	Open Roll Duo Bracket	Coming soon	
2	ST50 DC Motor Insert Plate w/ Spring Ring Star Head Motor Insert Plate w/ Spring Ring	RS-546 / Coming soon	M-3
3	Adj. Idle End Insert Plate with 12mm Bearing	RS-547	M-3
4	Adj. Intermediate Insert Plate with 12mm Bearing	RS-548	M-3
5	2" Grooved Tube Ultra Drive	RS-981	M-1
6	Ultra Retractable Coupler with 12mm Shaft	RS-882	M-3
7	Ultra Retractable Idle End with 12mm Shaft	RS-881	M-3
8	Sonesse Ultra 50 AC Motor / 50 DC Motor	Supplied by somfy	
9	2" Grooved Tube	RS-013	M-1
10	2 3/8" Crown for ST50 AC/DC Motor	RS-975	M-1
11	2 3/8" Tube Ultra Drive	RS-983	M-1
12	2 3/8" Tube	RS-033	M-1
13	2 1/2" Crown	RS-984	M-1
14	2 1/2" Tube Ultra Drive	RS-982	M-1
15	2 1/2" Tube	RS-T66	M-1

Note: \*=COLOR refer to the catalog page for color availability

## ZMC WINDOW COVERING SUPPLIES

40 Gaudaur Rd. Unit#3 Woodbridge

Ontario, Canada L4L 4S6

Phone: 905-856-3838

Fax: 905-856-3388

Website: [www.zmc.ca](http://www.zmc.ca)



Somfy  
DESIGNED FOR  
SILENCE