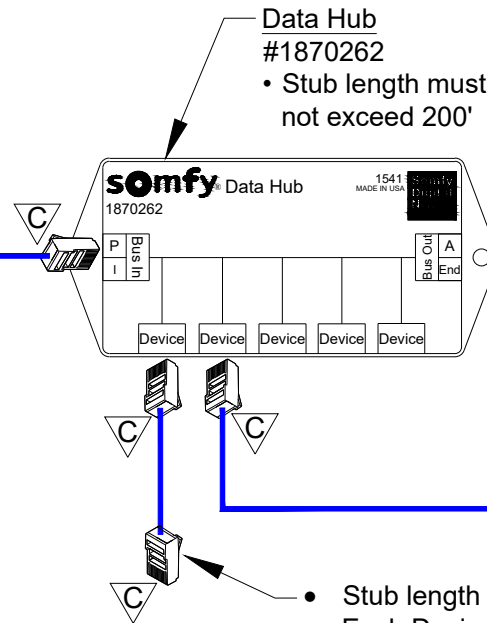
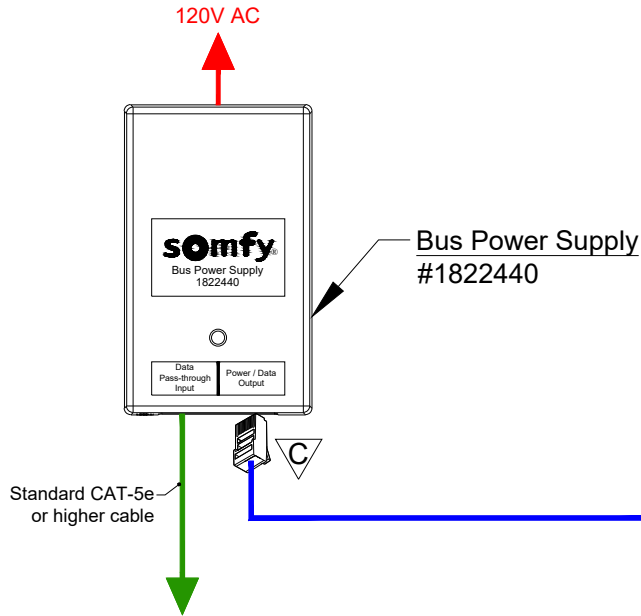
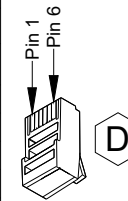
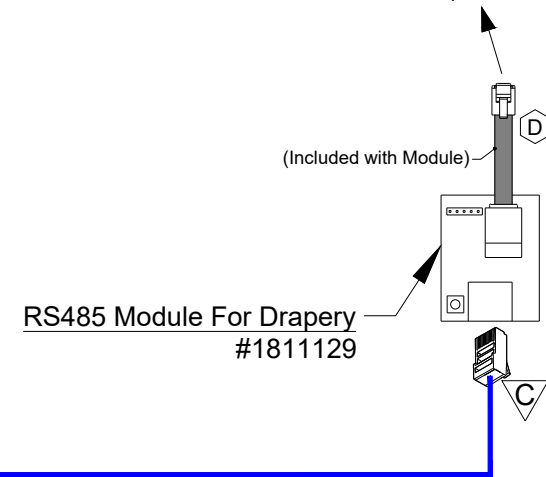


SDN Wiring Pinout		
CAT-5e or higher TIA-568B standard with RJ-45		
Pin #	Color	Function
1	Orange White	SDN RS485 (+)
2	Orange	SDN RS485 (-)
3	Green White	Reserved
4	Blue	Power 24v DC
5	Blue White	Power 24v DC
6	Green	Reserved
7	Brown White	SDN RS485 Ground
8	Brown	SDN RS485 Ground

RS485 Module to Drapery Motors Pinout		
6 Cond. 26AWG Cable with RJ-12		
Pin #	Color	Function
1	White	Open
2	Black	N/A
3	Red	Com
4	Green	+5V DC
5	Yellow	Stop
6	Blue	Close



TO GLYDEA 35E RS485,
GLYDEA 60E RS485,
IRISMO 35 (MINI DC) DCT,
IRISMO 35 (MINI DC) RTS



To (Optional) Third Party Integration

- Third Party Integration is via an RS232 to RS485 converter. Somfy Part #1810496 is recommended.
- Integration only supports sending commands. There is no feedback available from the Drapery Motor.
- It is also an option to connect the Third Party System to any Device Port as well.

- Stub length must not exceed 200'
- Each Device Output can support Data and Power up to one Device
- Devices include Keypads, RTS Receivers, Somfy Connect LTI or UAI Plus, Somfy Connect BMS (Data Only), Motors (Data Only) or RS485 Module for Drapery

Date:	05/02/19	Rev	Date	By	Revisions	Description
Print Size:	8.5" x 11"	-	-	-		
Scale:	NTS	-	-	-		
Sales:	N/A	-	-	-		
Drawn by:	RV	-	-	-		
Checked by:	PK	-	-	-		

Dwg Title:	RS485 Module for Drapery to SDN Bus Wire Detail
Dwg No.:	DRAPERY-WIRING-01

Project name:	Technical Library
Client:	Somfy Systems, Inc.
Address:	121 Herrod Boulevard Dayton, NJ 08810