

Data Panel

Item #: 1870260



OVERVIEW:

The **Data Panel** is a bus distribution component used to start or grow a Somfy Digital Network™ (SDN) system. This device adds 4 isolated bus segments to an SDN system. Each isolated bus segment output supports 255 devices, 4000 ft. of bus wiring per segment and supplies 100 power units. The in-wall or on-wall mountable enclosure offers separated line and low-voltage areas for ease of installation. A built-in SDN DecoFlex Keypad provides a dedicated local control point for motors on the 4 bus segments and the included din rail is a convenient way to mount an animeo® IP Building Controller or Sub Controller for animeo IP systems.



SOMFY DIGITAL NETWORK SYSTEM OVERVIEW:

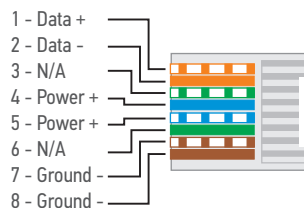
Somfy Digital Network™ (SDN) is Somfy's intelligent wired shading network. An SDN system is comprised of bus distribution devices that create a network for user interfaces, motorized applications and sensors to be connected. SDN is scalable and suitable for both small and large projects. The same components are used whether an SDN system remains standalone, integrated into third party automation systems, or with Somfy's animeo® IP automated total solar management system.

FEATURES SUMMARY:

- Adds 4 isolated bus segments to a SDN system
- Includes bus segment status LEDs
- Protects system components from miswiring
- Can mount on-wall or in-wall (between studs)
- Din rail mount for animeo® IP Building Controllers
- Front cover includes a keyed lock
- Separated line and low-voltage areas
- Built-in SDN DecoFlex Keypad for local control

CABLE PINOUTS:

SDN Cable Pinout: (RJ45 connector)
ANSI/TIA/EIA 568-B Standard



TECHNICAL SPECIFICATIONS:

- Input: 120V AC, 3.35A
- Output: 100 SDN Bus Power units per segment
- Material: Steel
- Dimensions: 18.9" L 14.4" W x 3.5" H (Inner)
- Dimensions: 21.3" L 16.4" W x 3.8" H (Inner with door)
- Maximum Wiring Distance: Each segment supports 4000 ft. total bus length for all connected devices
- Operating Temperature Range: Ambient temperature
- Shipping Weight: 18 lbs.
- Indoor rated
- UL Pending

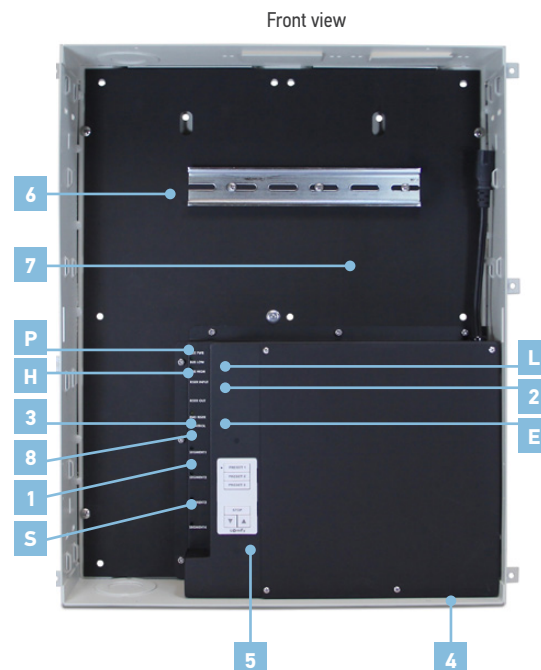
WHAT'S IN THE BOX:

- Data Panel
- Keys
- Cable Ties

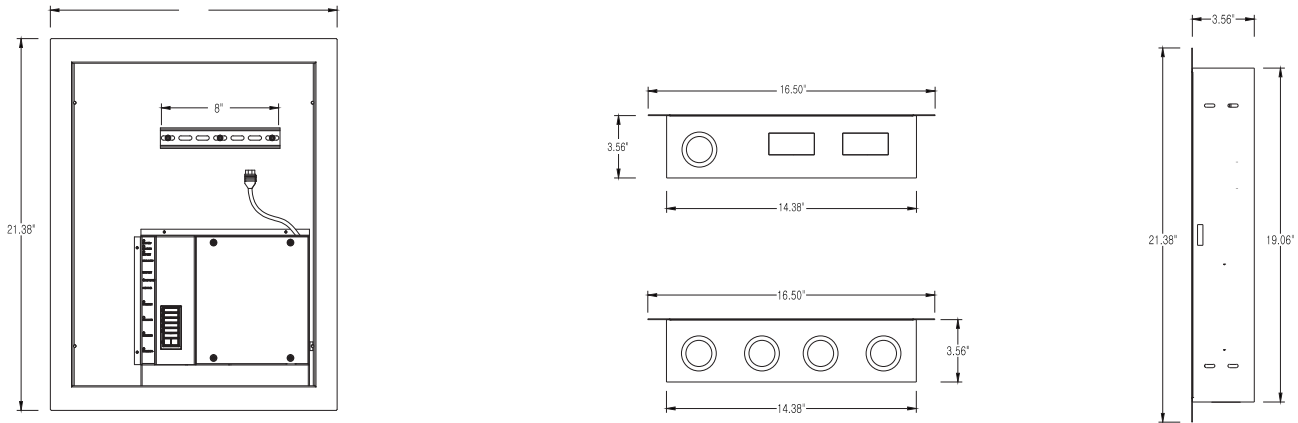
CONNECTIONS AND INDICATORS:

ELEMENT	FUNCTION
1 4 Isolated Bus Segments	Each segment supports 4000 ft. total wiring stub length, 255 devices and 100 power units
2 SDN Riser Input	Input from previous Data Panel
3 SDN Riser Output	Output to next Data Panel
4 Power Input	Flying leads with push-in connectors (Supports solid 12 & 14 AWG wiring)
5 DecoFlex Digital Keypad	Service keypad to test group or zone operation
6 Empty DIN Rail	Building Controller Mount
7 Power Connection for animeo IP Building Controller	(Optional use)
8 Control Port	Input for Controller

LED Indicators				
LABEL	ELEMENT	COLOR	FUNCTION ON	FUNCTION OFF
H	Bus Power	Green	Power	No Power
P	Bus High (I)	Green	No Data	Data
L	Bus Low (A)	Green	Data	No Data
E	End Riser	Yellow	End of Riser	Not End of Riser
S	Segment 1-4	Green	Bus Segment Power On	Bus Segment Power Off



DIMENSIONS:



BEST WIRING PRACTICES

The diagram shown below is meant for illustrative purposes to show the connections from product to product. This device could be used in other configurations than shown below. For specification information on individual products, see related product information. Follow all SDN wiring standards for distance limitations.

- Start or add 4 bus segments to system
- Each segment supports:
 - 4000 ft. of wiring
 - 255 devices
 - 100 power units

