

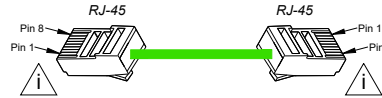
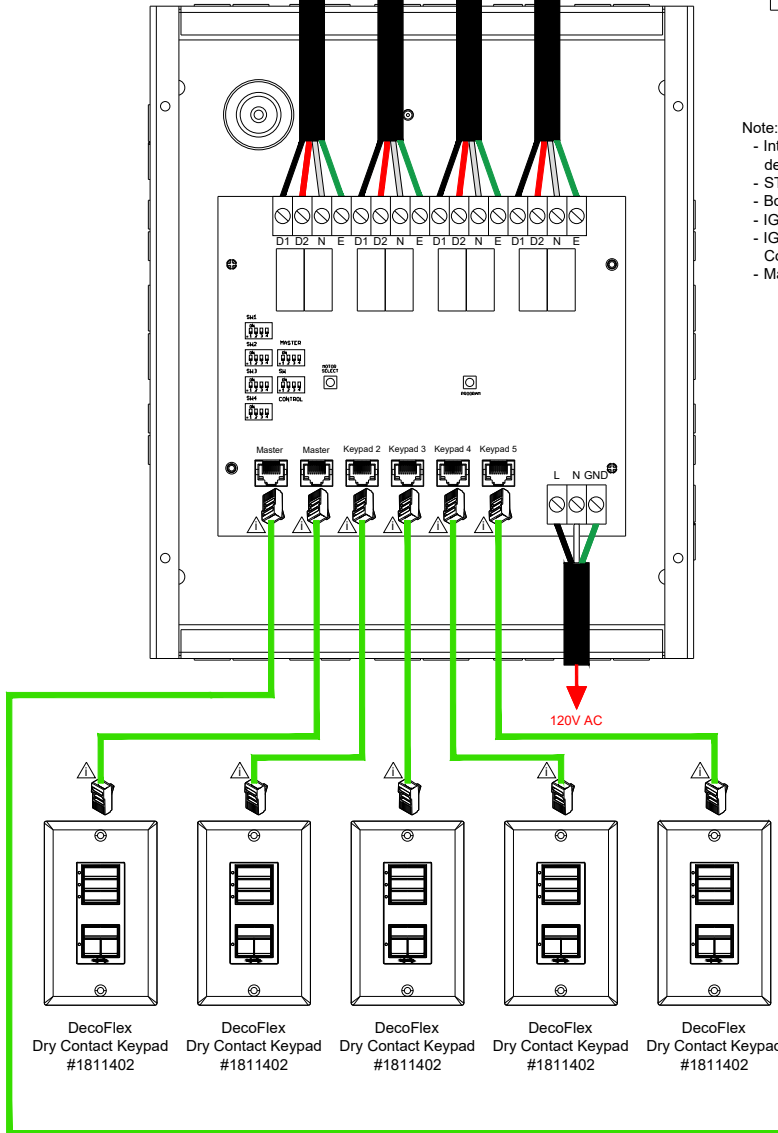
█ Direction 1  
█ Direction 2  
█ Neutral  
█ Ground

Note: D1 is Up Direction.  
D2 is Down Direction.

IGC4n1 Wiring Pinout			
CAT-5e or higher TIA-568B standard with RJ-45			
Pin #	Color	Function	Shutter Mode Function
1	Orange White	IP 1	N/A
2	Orange	IP 2	N/A
3	Green White	IP 3	N/A
4	Blue	12V+	12V+ (RTS Receiver Only)
5	Blue White	N/A	N/A
6	Green	Down	Down
7	Brown White	Up	Up
8	Brown	Ground	Ground

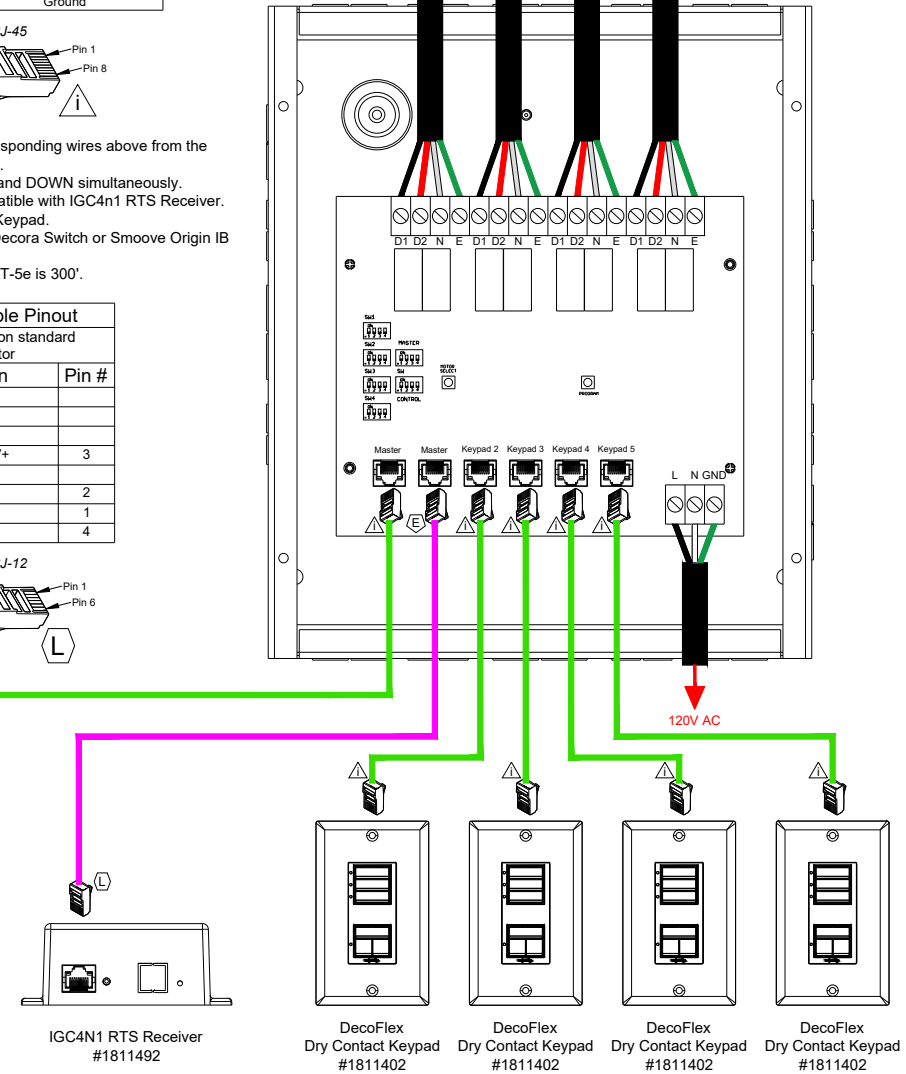
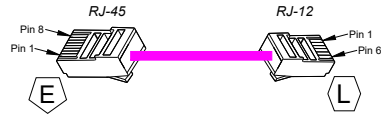
█ Direction 1  
█ Direction 2  
█ Neutral  
█ Ground

Note: D1 is Up Direction.  
D2 is Down Direction.



- Note:
- Integration is via DCT controls by connecting corresponding wires above from the desired control port to a third party controlled relay.
  - STOP command is triggered by activating the UP and DOWN simultaneously.
  - Both IGC4n1 and ICG4n1 Shutter Mode are compatible with IGC4n1 RTS Receiver.
  - IGC4n1 is compatible with DecoFlex Dry Contact Keypad.
  - IGC4n1 Shutter Mode is compatible with animeo Decora Switch or Smoove Origin IB Control, using functions UP, DOWN & STOP only.
  - Max distance for dry contact connectivity using CAT-5e is 300'.

IGC Receiver for IGC4N1 Cable Pinout			
Utilizing RJ-45 w/ TIA-568B termination standard and 6P/6C Modular Connector			
Pin #	Color	Function	Pin #
1	Orange White	Preset 1	
2	Orange	Preset 2	
3	Green White	Preset 3	
4	Blue	Power 12V+	3
5	Blue White	NC	
6	Green	Down	2
7	Brown White	Up	1
8	Brown	Ground	4



Note: The Master port should be used to connect to additional IGC4N1.

Date:	11/12/20	Rev	Date	By	Revisions	Description
Print Size:	8.5" x 11"	-	-	-		
Scale:	NTS	-	-	-		
Sales:	N/A	-	-	-		
Drawn by:	RV	-	-	-		
Checked by:		-	-	-		

Dwg Title:	IGC4N1 with RTS Receiver Wire Detail	Project name:	Technical Library
Dwg No.:	IGC4N1-WIRING-04	Client:	Somfy Systems, Inc.
		Address:	121 Herrod Boulevard Dayton, NJ 08810