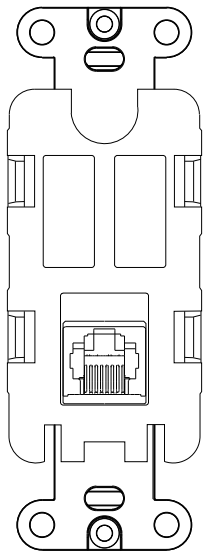
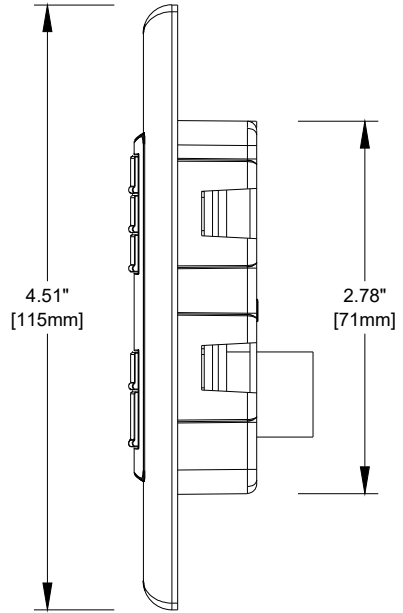
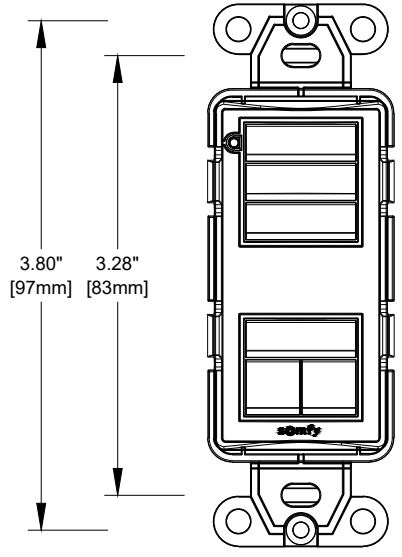
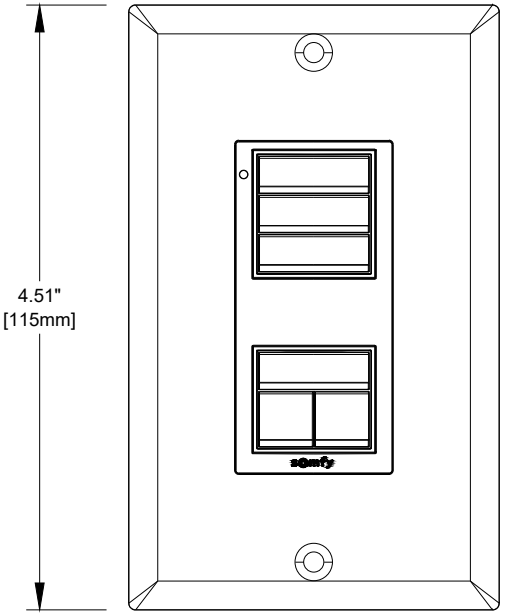
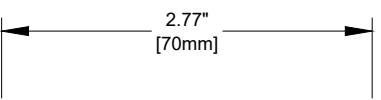
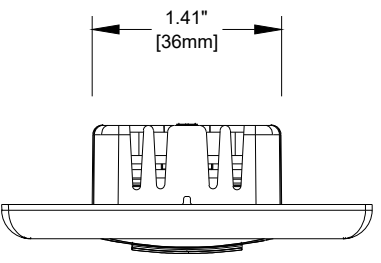


IGC4N1 Dry Contact Decoflex Digital 6- Button Keypad
Applicable Part Numbers

- 1811402 - White



© 2015 Somfy Systems, Inc. All Rights Reserved. This drawing is the property of Somfy Systems, Inc. The graphics, information and specific ideas in this document are the exclusive property of Somfy Systems, Inc. and must not be made public, copied, or sold. Others seeking permission to reproduce this document, in whole or in part, must obtain permission from Somfy Systems, Inc. in writing.

Tel: 1-800-64-SOMFY
 Fax: 1-609-495-8165
 www.somfysystems.com



Date:	09/27/18	Revisions		
Print Size:	8.5" x 11"	Rev	Date	By
Scale:	NTS	-	--/--/--	-
Sales:	N/A	-	--/--/--	-
Drawn by:	RV	-	--/--/--	-
Checked by:	PK	-	--/--/--	-

Desc Title:	IGC4n1 Dry Contact Decoflex Digital 6-Button Keypad Part# 1811402
Desc No.:	Part#1811402-SPEC

Project name:	Technical Library
Client:	Somfy Systems, Inc.
Address:	121 Herrod Boulevard Dayton, NJ 08810