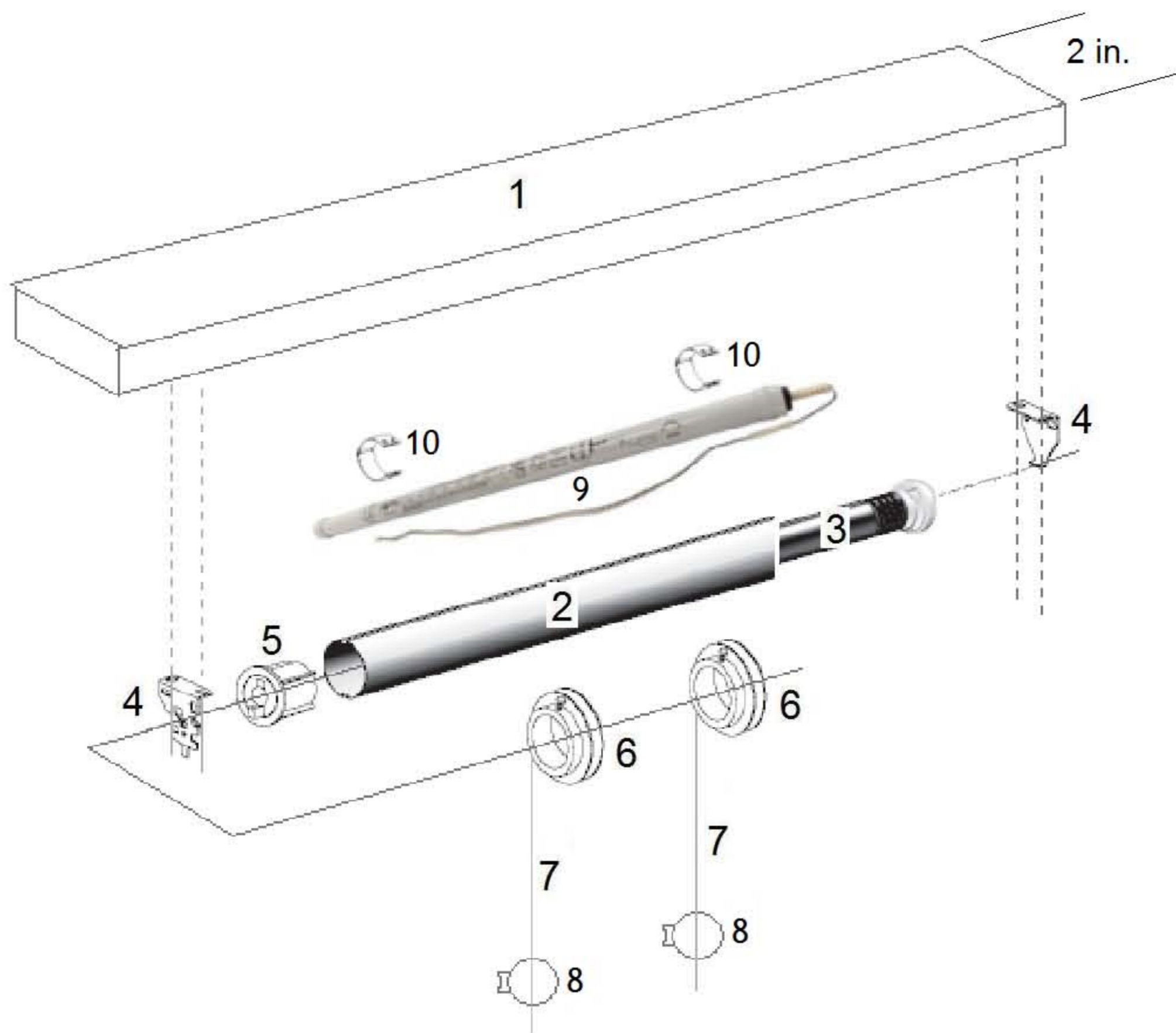
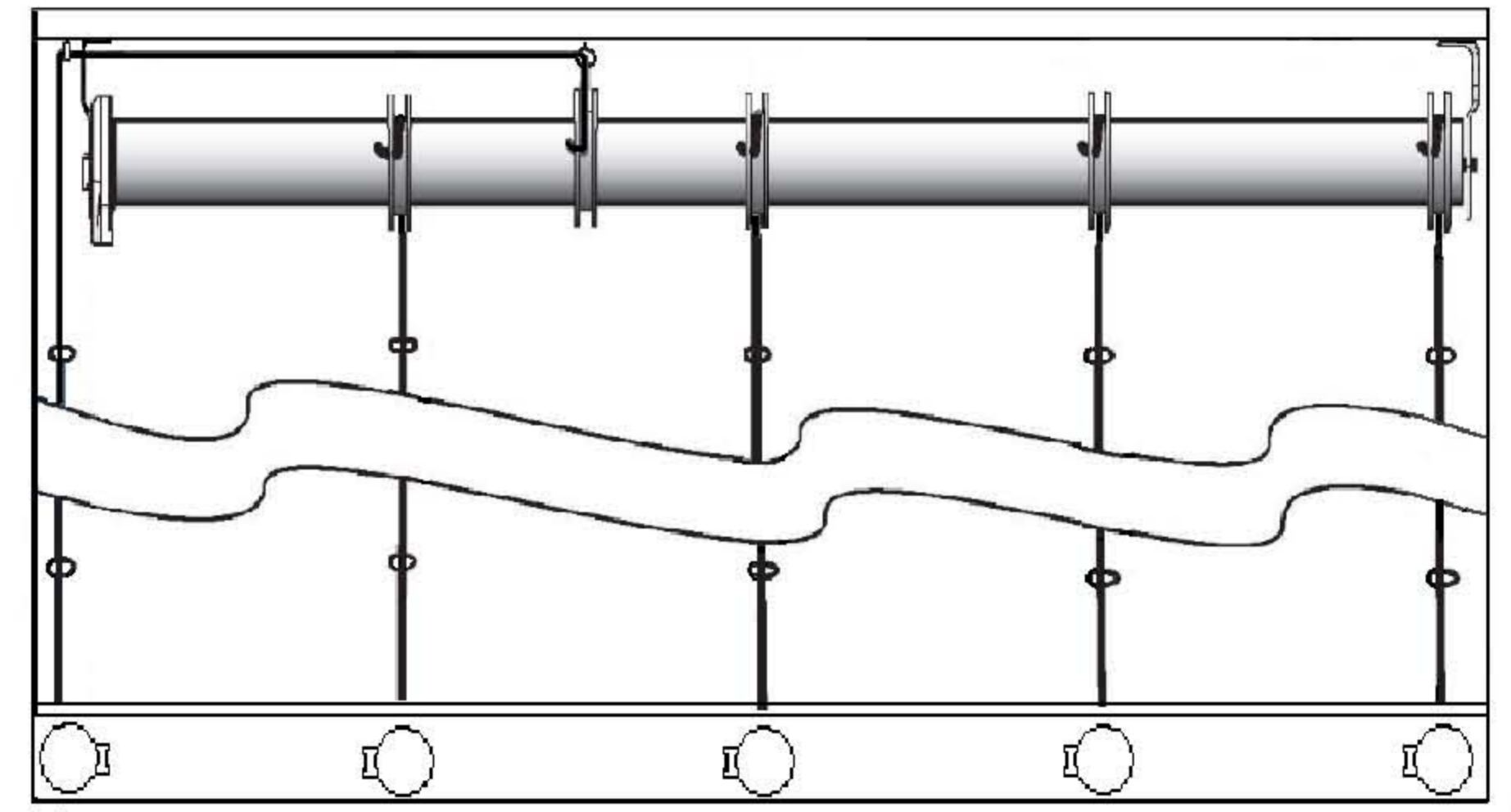


Standard Parts

1. 2" Shade Mounting Board
2. 1-1/4" Roller Tube
3. LT30 RTS Lift Motor
4. Tube Mounting Brackets
5. Tube Idler End
6. Cord Take-Up Reel
7. Lift Cord (Not Supplied)
8. Cord Adjuster Orb
9. 12V-DC Battery Tube
10. Battery Tube Mounting Clips



Back View of Shade



1"
On center
Ring Row

Lift Cords are routed through
screw eye at top



2"
On Center
Ring Row

Power Options

12V-DC Din Rail
Transformer

12V-DC Plug-In
Wall Tranformer

Battery Wand



Control Options



Sunis Sun
Sensor



Chronis Wall
Timer



Telis Remotes



DecoFlex
Wall Switches



URTSII Integration

RTS Control Family