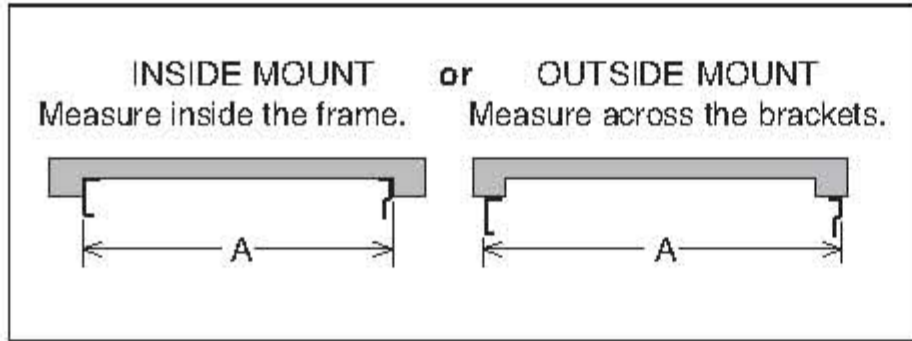


FABRICATION

1. CALCULATE THE EXACT WIDTH OF A SHADE - DIMENSION "C"

a. Measure dimension ("A"), the distance between the outside of the brackets.

b. Subtract dimension ("B"), the amount of room taken up by the clutch, end plug and brackets.



CLUTCH MODEL	DIMENSION B
R3 or R8 clutch	1 1/8" (28mm)
R16 or R24 (no adapters)	1 1/4" (32mm)
R16 or R24 (2" adapters)	1 3/8" (35mm)
Somfy LT30 Motor	1 1/8" (28mm)
Somfy ST30 Motor	1 1/8" (28mm)

Use the formula: **A - B = C** For example: If measurement "A" is 38", and you are using a Somfy LT30 Motor then "B" is 1 1/8" ...
 $38 - 1 \frac{1}{8} = 36 \frac{3}{4}$ "C" = 36 3/4"

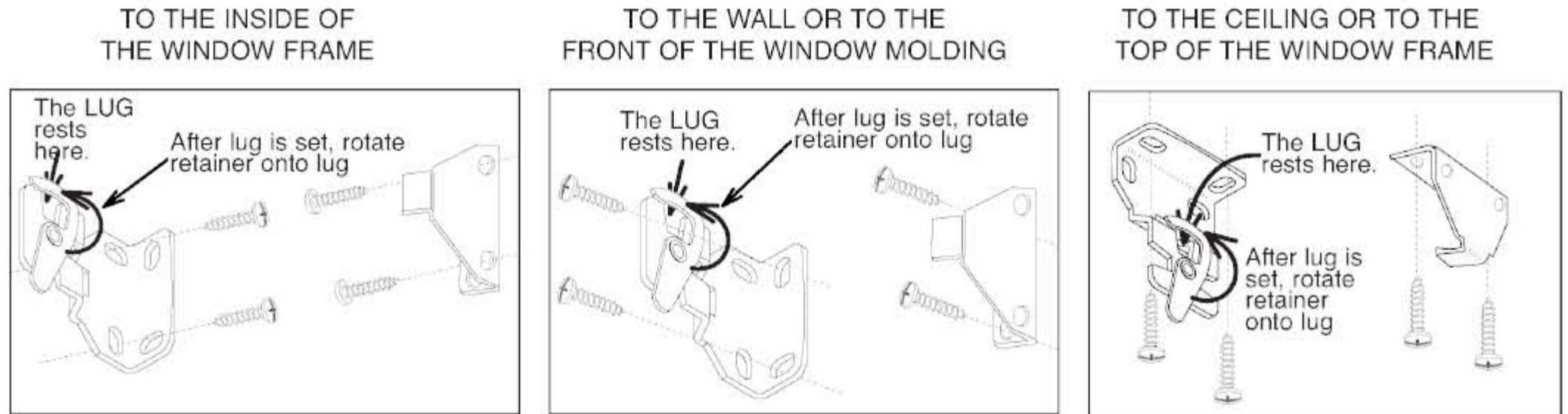
2. CUT BOTH SHADE CLOTH AND TUBE TO DIMENSION "C". Peel the yellow plastic backing from the sticky tape and affix the cloth to the tube and roll up the shade. Take care to adhere the cloth straight onto the tube so the shade rolls up evenly.

3. Slide motor crown over motor and attach rubber drive to end of motor. Insert motor assembly into tube making sure that the crown fits snugly into tube but does not bind the motor.

INSTALLATION

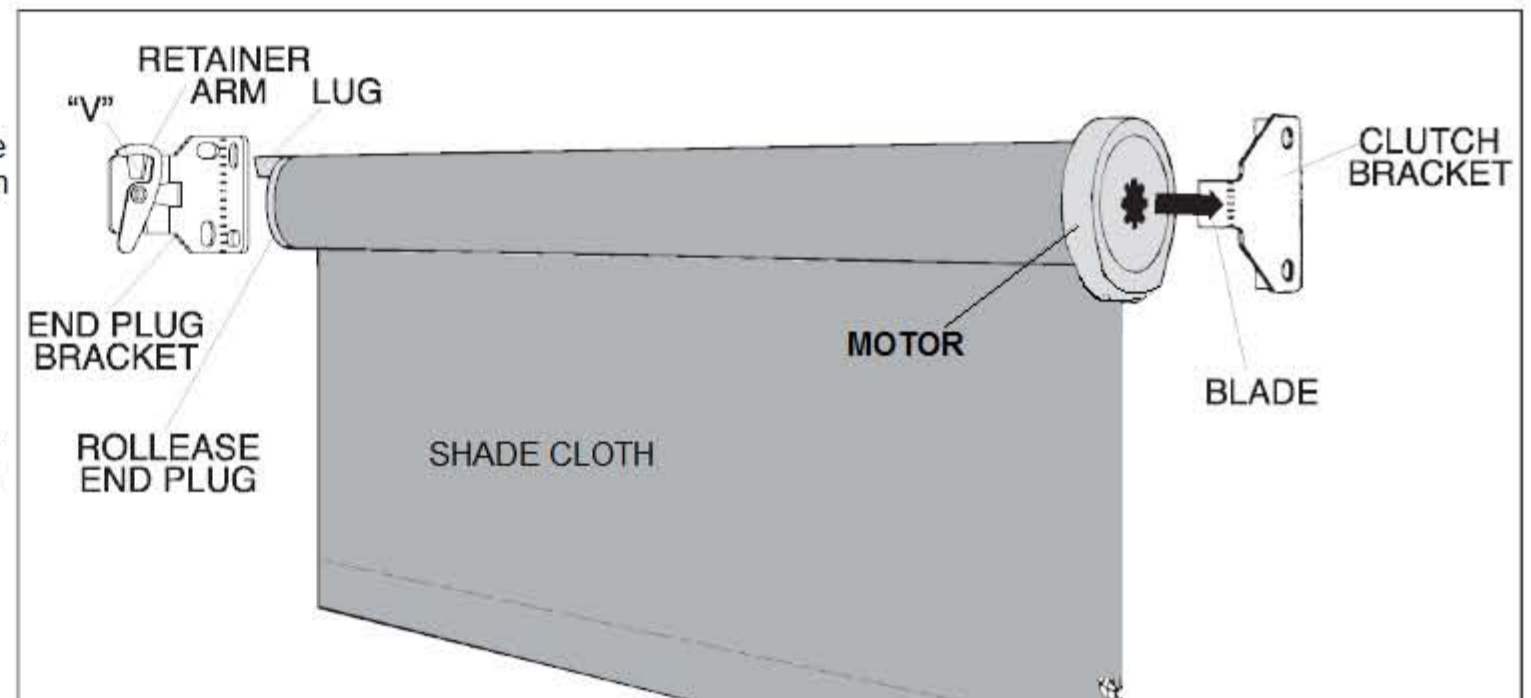
1. MOUNT THE BRACKETS.

If the clutch is on the right end of the shade, attach the brackets to the window frame, window molding, wall or ceiling, as shown below. If the motor is on the left end of the shade, reverse the bracket positions, left for right.



2. INSTALL THE SHADE.

- a. Push the motor end straight onto the blade of its bracket. The bottom of the motor should point down so power can easily be connected.
- b. Lower the lug of the end plug onto the "V" of its bracket. The roller should fit in the brackets securely, with just a little play. Rotate the riveted retainer portion to lock the lug in position.



3. Program the shade motor. See motor programming instructions.