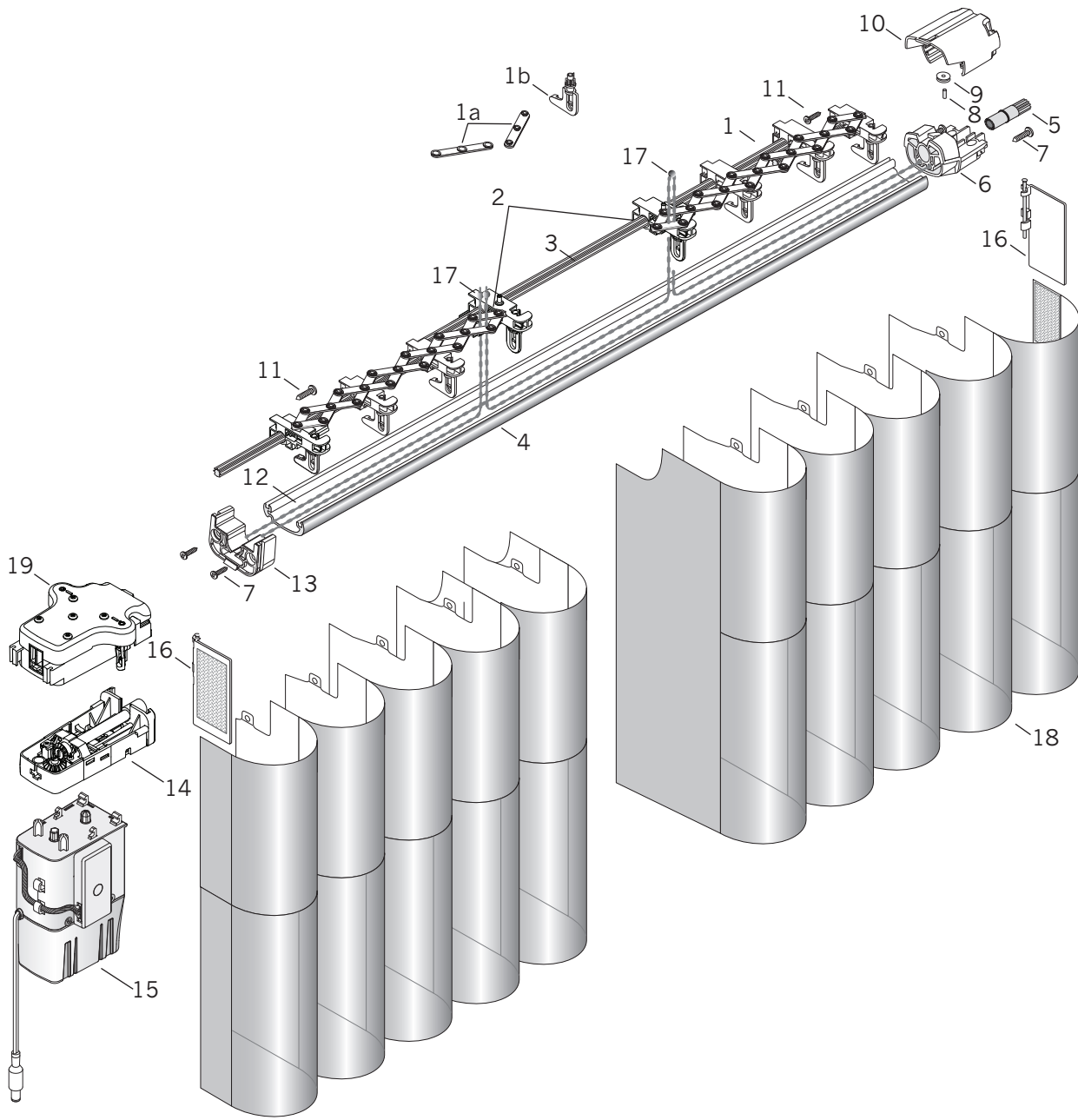


Split Stack



Standard Parts

- | | | |
|----------------------------------|----------------------------------|-----------------------------------|
| 1. Fabric Carrier Group Assembly | 6. Universal Bulkhead Body | 13. Rail Adapter (Motor Mount) |
| 1a. Scissors | 7. Square Pan Head Tapping Screw | 14. Modular Drive Assembly |
| 1b. Tilt Reduction Pinion Clip | 8. Active Center SS Dowel Pin | 15. Motor Assembly |
| 2. Carrier Assembly | 9. End Cap Wheel | 16. End Treatment Swivel Plate |
| 3. Tilt Rod Extrusion | 10. Universal Bulkhead Cover | 17. Split Bead Chain Clip |
| 4. Headrail | 11. Square Head Hi-Lo Screw | 18. Luminette Fabric |
| 5. Tilt Drive Gear | 12. Bead Chain | 19. Luminette Modular Drive Cover |

Split Stack

No.	PCN	Description
1.	4250355000	Fabric Carrier Group Assembly ^w / Tilt Reduction Pinion Clip
1a.	4250076000	Scissors (Male and Female)
1b.	4250142000	Tilt Reduction Pinion Clip
2.	Center Draw (Split Draw) Carrier Assembly	
	4250345000	RH
	4250350000	LH
3.	Tilt Rod Extrusion – 16' Max.	
	4250470000	Aluminum
	4250360000	Brass (Over 144" Width)
4.	4250010xxx	Headrail – 16' Max.
5.	4250058000	Tilt Drive Gear
6.	4250011xxx	Universal Bulkhead Body
7.	4250212000	#6 x ½" Square Pan Head Tapping (End Cap) Screw
8.	4250102000	Active Center SS Dowel Pin ¾" x 0.375"
9.	4250042000	End Cap Wheel
10.	4250012xxx	Universal Bulkhead Cover
11.	4250146000	Square Head Hi-Lo 6-19 x ¾" (Stationary Carrier) Screw
12.	4254117000	Bead Chain
13.	4254270xxx	Rail Adapter (Motor Mount)
14.	4254499126	Luminette® Modular Drive Assembly
15.	PowerView Motor & Receiver Assembly	
	7503001000	RH
	7503000000	LH
16.	End Treatment Swivel Plate	
	4250120000	RH Std, RTW L
	4250121000	LH Std, RTW R
17.	4254124000	Split Bead Chain Clip (Chain Clip)
18.	N/A	Luminette Fabric
19.	4254460126	Luminette Modular Drive Cover

xxx = 3-digit color code