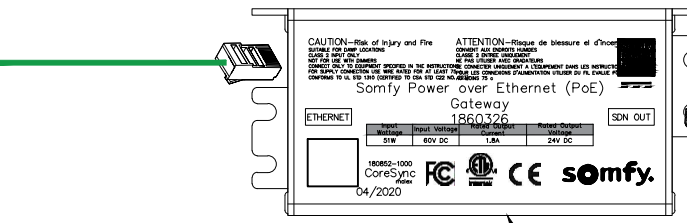
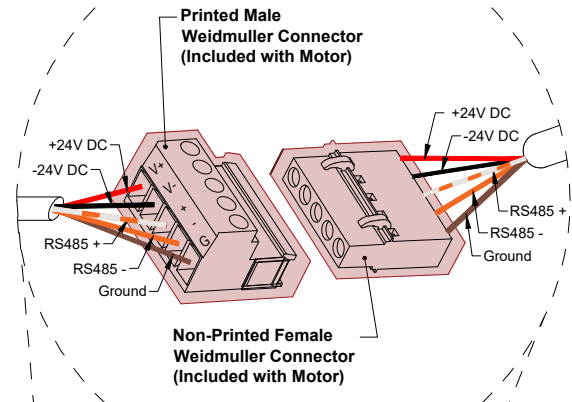
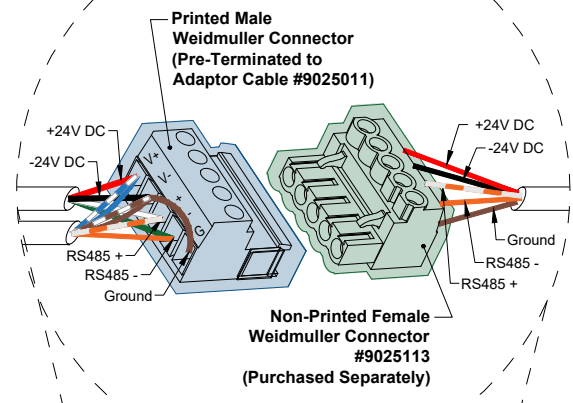
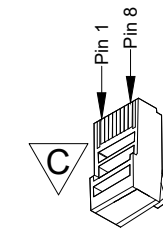


- Unshielded Twisted CAT-5e or higher (PowerWise 1G 4PPoE Indoor/Outdoor Cable recommended)
- TIA-568B Standard with Plastic RJ-45 Connectors
- Max Distance from Switch is 328'

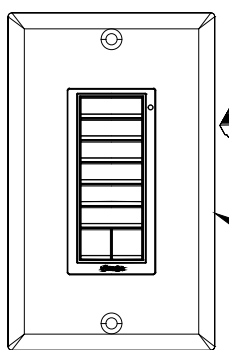
SDN Bus Wiring Pinout		
CAT-5e or higher TIA-568B standard with RJ-45		
Pin #	Color	Function
1	Orange White	SDN RS485 (+)
2	Orange	SDN RS485 (-)
3	Green White	Reserved
4	Blue	Power 24v DC
5	Blue White	Power 24v DC
6	Green	Reserved
7	Brown White	SDN RS485 Ground
8	Brown	SDN RS485 Ground



PoE Gateway to Motor & Keypad Adaptor #9025011 (Purchased Separately)

SDN Low-voltage Motor Cable 14/2 + 22/3 TWS #9020126 (Non-Plenum) #9020127 (Plenum) Max Distance from PoE to Motor is 240' (Purchased Separate from PoE Gateway)

HARDWIRED TO SONESSE® 30 RS485 24V DC MOTOR



DC Motor Weidmuller Connector Color Code		
Included with DC Motor Cable	Included with PoE Gateway to Motor Adaptor Cable	Purchased Separately

NOTE:

- PoE Gateway can control up to four Motors.
- PoE Gateway moves the ST-30 Motors connected two at a time.
- Caution when mounting PoE Gateway to metal surfaces or pockets. Gateway must be isolated from possible earth or building electrical grounding, as well as from other Gateways.
- PoE Gateway allows control by one Keypad per unit.

Male Printed Weidmuller Connector (A)	DC Motor Port Wiring Pinout		Female Non-Printed Weidmuller Connector (B)
	Male Pin #	Function	
1	Power (+)	5	5
2	Power (-)	4	4
3	SDN RS485 (+)	3	3
4	SDN RS485 (-)	2	2
5	SDN RS485 Ground	1	1

© 2015 Somfy Systems, Inc. All Rights Reserved. This drawing is the property of Somfy Systems, Inc.. The graphics, information and specific ideas in this document are the exclusive property of Somfy Systems, Inc. and must not be made public, copied, or sold. Others seeking permission to reproduce this document, in whole or in part, must obtain permission from Somfy Systems, Inc. in writing.

Tel: 1-800-64-SOMFY
Fax: 1-609-495-8165
www.somfysystems.com



Date:	01/13/23	Revisions
Print Size:	11" x 17"	Rev Date By Description
NTS:	NTS	- --/-- -
Sales:	N/A	- --/-- -
Drawn by:	RV	- --/-- -
Checked by:	PK	- --/-- -

Dwg Title:	PoE Gateway with Single ST-30 V2 Motor & Keypad Wire Detail	Project name:	Technical Library
Dwg No.:	POE-WIRING-08 V2	Client:	Somfy Systems
		Address:	121 Herrod Boulevard Dayton, NJ 08810