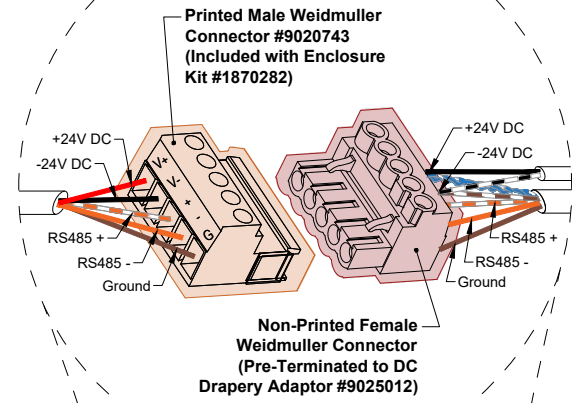
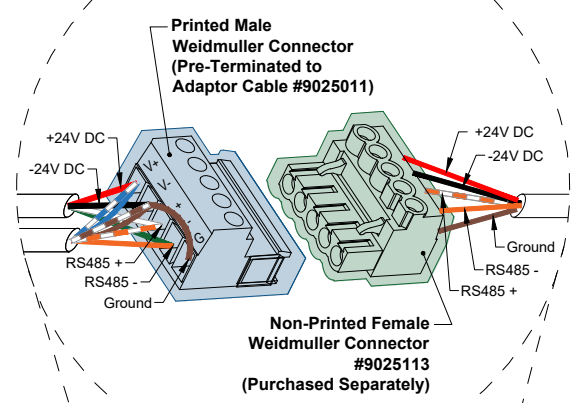


- Unshielded Twisted CAT-5e or higher (PowerWise 1G 4PPoE Indoor/Outdoor Cable recommended)
- TIA-568B Standard with Plastic RJ-45 Connectors
- Max Distance from Switch is 328'

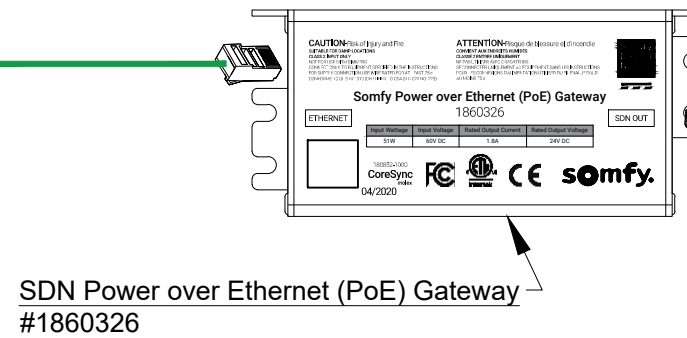


SDN Bus Wiring Pinout
CAT-5e or higher TIA-568B standard with RJ-45

Pin #	Color	Function
1	Orange White	SDN RS485 (+)
2	Orange	SDN RS485 (-)
3	Green White	Reserved
4	Blue	Power 24v DC
5	Blue White	Power 24v DC
6	Green	Reserved
7	Brown White	SDN RS485 Ground
8	Brown	SDN RS485 Ground

RS485 Module for Irismo Motors Pinout
6 Cond. 26AWG Cable with RJ-12

Pin #	Color	Function
1	White	Open
2	Black	N/A
3	Red	Com
4	Green	+5V DC
5	Yellow	Stop
6	Blue	Close



SDN Power over Ethernet (PoE) Gateway #1860326

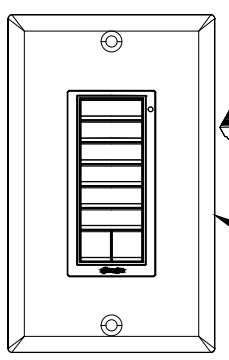
PoE Gateway to Motor & Keypad Adaptor #9025011 (Purchased Separately)

SDN Low-voltage Motor Cable 14/2 + 22/3 TWS #9020126 (Non-Plenum) #9020127 (Plenum) Max Distance from PoE to Motor is 240' (Purchased Separate from PoE Gateway)

DC Drapery Adaptor for SDN & PoE Gateway #9025012 (Included with Enclosure Kit)

SDN RS485 Module for Drapery Motors #1811129 (Included with Enclosure Kit)

- To supported Drapery Motors:**
- Irismo 35 (Mini DC) DCT
 - Irismo 35 (Mini DC) RTS



SDN Irismo 24V Mini DC Control Enclosure Kit #1870282 (Purchased Separate from PoE Gateway)

DC Motor Weidmuller Connector Color Code

Color	Source
Red	Included with DC Motor Adaptor Cable
Blue	Included with PoE Gateway to Motor Adaptor Cable
Orange	Included with Module Enclosure Kit for Irismo
Green	Purchased Separately

NOTE:

- Caution when mounting PoE Gateway to metal surfaces or pockets. Gateway must be isolated from possible earth or building electrical grounding, as well as from other Gateways.
- PoE Gateway allows control by one Keypad per unit.

Male Printed Weidmuller Connector (A)	DC Motor Port Wiring Pinout		Female Non-Printed Weidmuller Connector (B)
	Male Pin #	Function	
1	Power (+)	5	5
2	Power (-)	4	4
3	SDN RS485 (+)	3	3
4	SDN RS485 (-)	2	2
5	SDN RS485 Ground	1	1

© 2015 Somfy Systems, Inc. All Rights Reserved. This drawing is the property of Somfy Systems, Inc.. The graphics, information and specific ideas in this document are the exclusive property of Somfy Systems, Inc. and must not be made public, copied, or sold. Others seeking permission to reproduce this document, in whole or in part, must obtain permission from Somfy Systems, Inc. in writing.

Tel: 1-800-64-SOMFY
Fax: 1-609-495-8165
www.somfysystems.com



Date:	07/07/21	Rev	Date	By	Revisions	Description
Print Size:	11" x 17"	-	--/--	-		
NTS:	NTS	-	--/--	-		
Sales:	N/A	-	--/--	-		
Drawn by:	RV	-	--/--	-		
Checked by:	PK	-	--/--	-		

Dwg Title:	PoE Gateway with Single Irismo DC Motor & Keypad Wire Detail	Project name:	Technical Library
Dwg No.:	POE-WIRING-10	Client:	Somfy Systems
		Address:	121 Herrod Boulevard Dayton, NJ 08810