

RTS Receiver for Stand-alone SDN

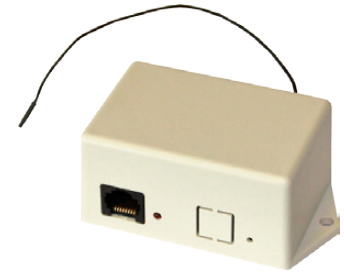
Item #: #1822294



OVERVIEW:

The **RTS Receiver for Stand-alone Somfy Digital Network (SDN)** allows Somfy RTS transmitters to control SDN groups part of a stand-alone SDN system. Through the use of a Telis or DecoFlex RTS keypad switch, the Receiver provides users a familiar way to adjust their environment for personal comfort. The RTS Receiver pairs with up to five RTS transmitters.

The RTS Receiver connects to any available Device Port on the SDN bus for both power and communication. Configuration is done through Somfy's Motor Configuration software.



SOMFY DIGITAL NETWORK SYSTEM OVERVIEW:

Somfy Digital Network™ (SDN) is Somfy's intelligent wired shading network. An SDN system is comprised of bus distribution devices that create a network for user interfaces, motorized applications and sensors to be connected. SDN is scalable, and suitable for both small and large projects, and the same components are used whether an SDN system remains stand-alone, integrated into third party automation systems, or with Somfy's animeo® IP automated total solar management system.

FEATURES SUMMARY:

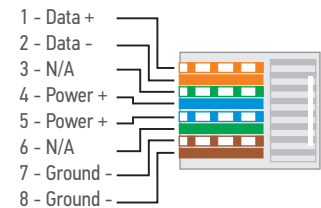
- Control up to 5 SDN group addresses
- Communication and power over single SDN connection
- Compatible with RTS controls including DecoFlex keypads, Telis transmitters, interior Sunis sensors, and the myLink™
- Can be controlled by up to 5 paired transmitters

TECHNICAL SPECIFICATIONS:

- Input: 24V DC (SDN bus power)
- Power Consumption: 1 Power Unit, 10mA
- Material: ABS
- Dimensions: 3.88" L x 2.08" W x 1.5" H
- Maximum Range: 65 feet radius (under optimal conditions)
- Operating Temperature Range: Ambient temperature
- Frequency: 433.42 MHz
- Shipping Weight: 1 lb.

CABLE PINOUTS:

SDN Cable Pinout: (RJ45 connector)
ANSI/TIA/EIA 568-B Standard



OPTIONAL ACCESSORIES:

- Bus & Sensor Station Power Supply #1822440 (used for programming)
- USB to RS485 Converter #9015260
- Telis 4 RTS Pure Transmitter* #1810633
- DecoFlex Wirefree™ 5 Channel White** #1810813

*Telis 4 Pure is an example optional transmitter. You can choose any Telis remote control.

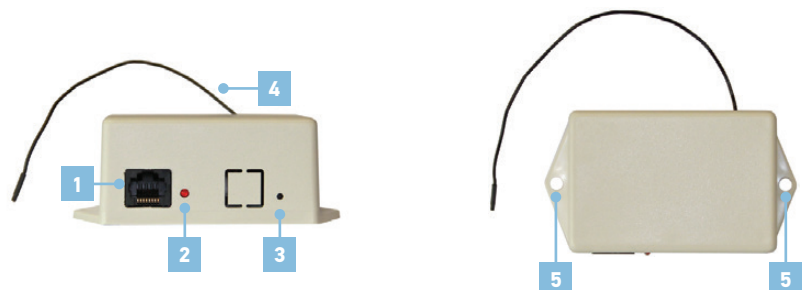
**DecoFlex Wirefree 5 Channel is an example optional transmitter. You can choose any of the DecoFlex RTS Switches.

WHAT'S IN THE BOX:

- RTS Receiver for Stand-alone SDN
- Instructions

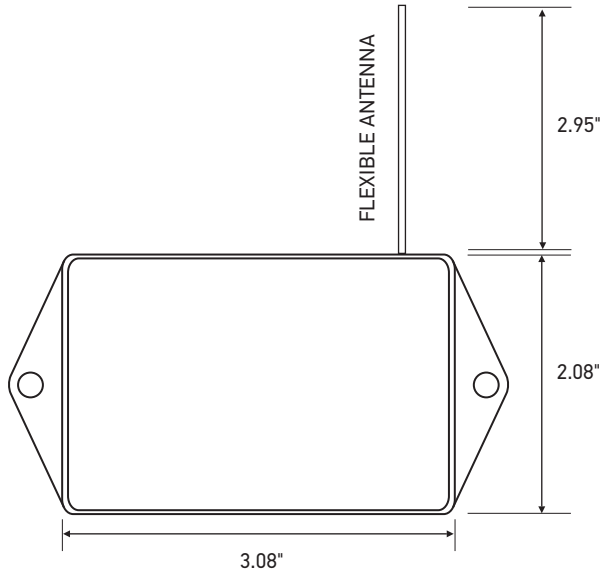
CONNECTIONS AND INDICATORS:

ELEMENT	FUNCTION
1 SDN Input	RJ45 port for SDN input
2 LED	LED Indicator
3 Master Reset	Factory Reset
4 RTS Antenna	RTS Antenna
5 Mounting Flange	Mounting Flange

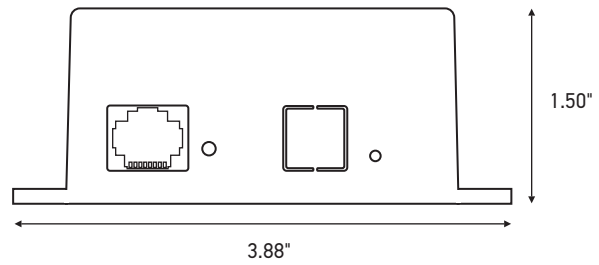


DIMENSIONS:

FRONT VIEW



SIDE VIEW



BEST WIRING PRACTICES

The diagram shown below is meant for illustrative purposes to show the connections from product to product. Follow all SDN wiring standards for distance limitations. During initial setup, the RTS Receiver should be the only device on the SDN bus. Connecting the Receiver to the SDN bus is easy using a SDN Data Hub; any free port can support a Receiver. It is recommended that wires connecting the Receiver to the SDN bus line are no more than 200 feet. The SDN bus should be powered by a bus and sensor station power supply as illustrated below.

