

RTS to SDN Receiver for animeo® IP

Item #: 1822447



OVERVIEW:

The **RTS to SDN Receiver for animeo® IP** allows for Somfy RTS interfaces to control groups, facades or single motors in an animeo IP system. With the use of a Telis or Decoflex, the Receiver provides the user a familiar way to adjust their environment for personal comfort while not disturbing the the overall efficiency of the building. Using advanced logic, the user actions can revert back to the automatic Eco-Mode of operation after a configurable time interval. Also, during critical times of day, the keypads can be overridden by automated functions ensuring the most efficient building operation. The RTS Receiver works with Somfy's range of indoor RTS receivers pairing with up to five RTS channels. Any combination of Telis or DecoFlex transmitters could be used with a single receiver.



The Somfy® RTS Receiver can be located anywhere on the Somfy Digital Network™, communicating and powered over a single wire. Pairing with an RTS transmitter is easy with a simple series of presses of the programming button. Transmitters are then configured into the animeo IP system with the keypad discovery wizard; automatic location and address discovery with the push of a single button. Once discovered, the RTS Transmitter is programmed with simple click and drag actions, giving discrete control over entire facades, groups or single motors.

SOMFY DIGITAL NETWORK SYSTEM OVERVIEW:

Somfy Digital Network™ (SDN) is Somfy's intelligent wired shading network. An SDN system is comprised of bus distribution devices that create a network for user interfaces, motorized applications and sensors to be connected. SDN is scalable and suitable for both small and large projects. The same components are used whether an SDN system remains standalone, integrated into third party automation systems, or with Somfy's animeo® IP automated total solar management system.

TECHNICAL SPECIFICATIONS:

- Input: 24V DC (SDN bus power)
- Power Consumption: 10 mA
- Material: ABS
- Dimensions: 3.88" L x 2.08" W x 1.5" H
- Maximum Range: 65 feet radius (under optimal conditions)
- Operating Temperature Range: Ambient temperature
- Frequency: 433.42 MHz
- Shipping Weight: 1 lb.

FEATURES SUMMARY:

- Control motors individually, by group, facade, or an entire building
- Communication/powered over single SDN connection
- Auto-addressing rather than auto-discoverable address
- Works with DecoFlex and Telis Transmitters
- Up to 5 paired transmitters

WHAT'S IN THE BOX:

- RTS to SDN Receiver

OPTIONAL ACCESSORIES:

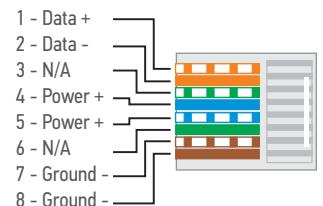
- Telis 4 RTS Pure Transmitter* #1810633
- DecoFlex Wirefree™ RTS 5 Channel White** #1810813
- animeo® IP Building Controller #1822314

* Telis 4 Pure is an example optional transmitter. You can choose any Telis remote control.

** DecoFlex Wirefree™ RTS 5 Channel is an example optional transmitter. You can choose any of the DecoFlex switches.

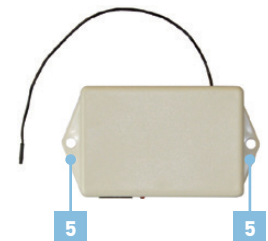
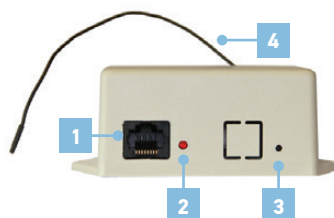
CABLE PINOUTS

SDN Cable Pinout: (RJ45 connector)
ANSI/TIA/EIA 568-B Standard



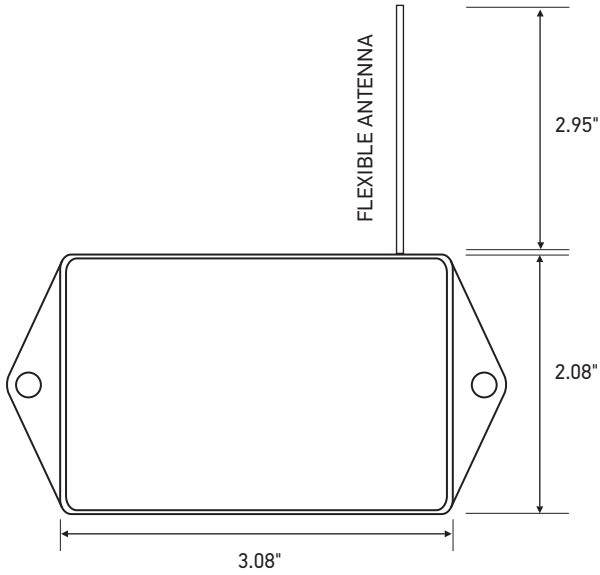
CONNECTIONS AND INDICATORS:

ELEMENT	FUNCTION
1 SDN Input	RJ45 port for SDN input
2 LED	LED Indicator
3 Master Reset	Factory Reset
4 RTS Antenna	RTS Antenna
5 Mounting Bracket	Mounting Bracket

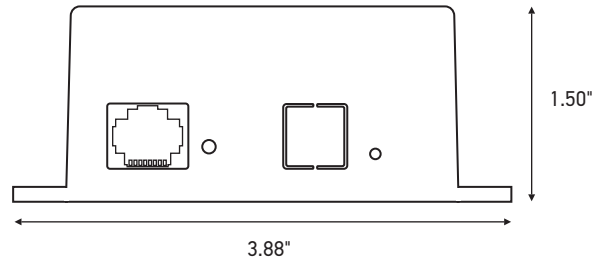


DIMENSIONS:

FRONT VIEW



SIDE VIEW



BEST WIRING PRACTICES

The RTS Receiver has a single SDN connection which is utilized for communication and power. Connecting the Receiver to the SDN bus is easy using a SDN Data Hub; any free port can support a Receiver. It is recommended that wires connecting the Receiver to the SDN bus line are no more than 200 feet. The SDN bus should be powered by a bus and sensor station power supply as illustrated below.

