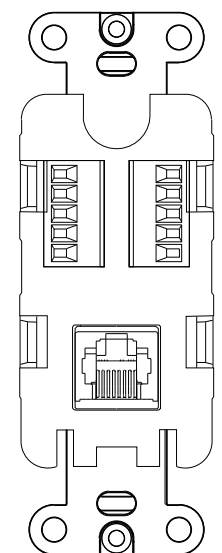
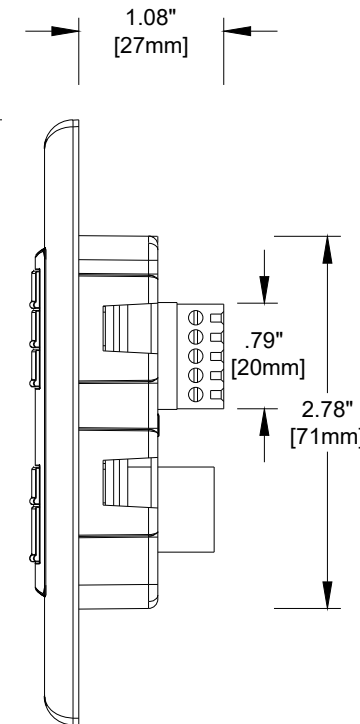
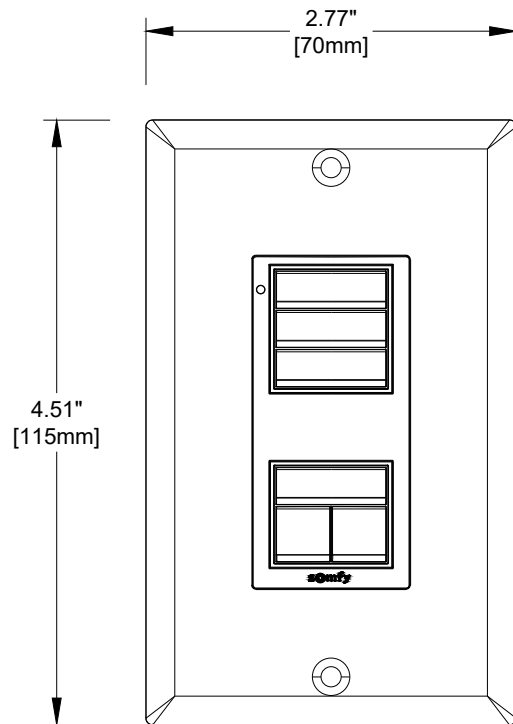
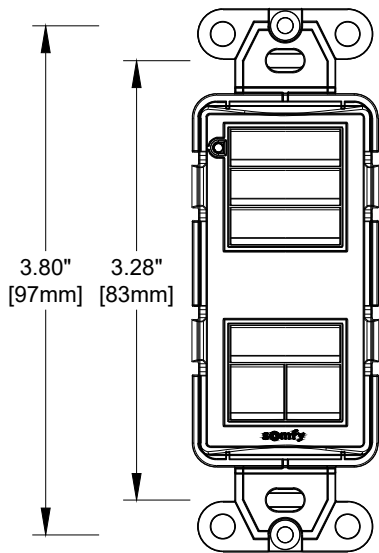


SDN Decoflex Digital 6- Button Keypad
Applicable Part Numbers

- 1811252 - White
- 1811311 - Black
- 1811334 - Ivory



© 2015 Somfy Systems, Inc. All Rights Reserved. This drawing is the property of Somfy Systems, Inc. The graphics, information and specific ideas in this document are the exclusive property of Somfy Systems, Inc. and must not be made public, copied, or sold. Others seeking permission to reproduce this document, in whole or in part, must obtain permission from Somfy Systems, Inc. in writing.

Tel: 1-800-64-SOMFY
 Fax: 1-609-495-8165
 www.somfysystems.com



Date:	Revisions			
	Rev	Date	By	Description
10/09/18	-	--/--/--	-	
Print Size:	8.5" x 11"	-	--/--/--	-
Scale:	NTS	-	--/--/--	-
Sales:	N/A	-	--/--/--	-
Drawn by:	PK	-	--/--/--	-
Checked by:	N/A	-	--/--/--	-

Dwg Title: SDN Decoflex Digital 6- Button Keypad Part#1811XXX
 Dwg No.: SDN-Part#1811XXX-SPEC

Project name: Technical Library
 Client: Somfy Systems, Inc.
 Address: 121 Herrod Boulevard
 Dayton, NJ 08810