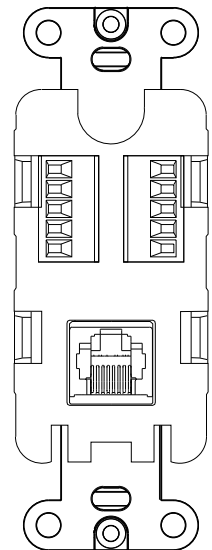
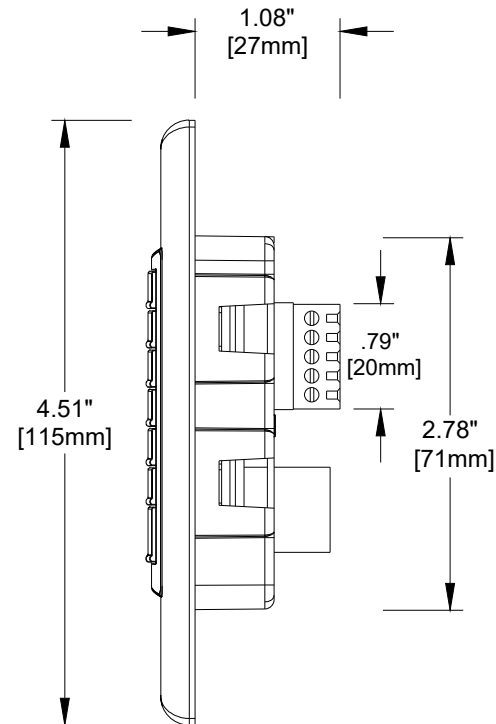
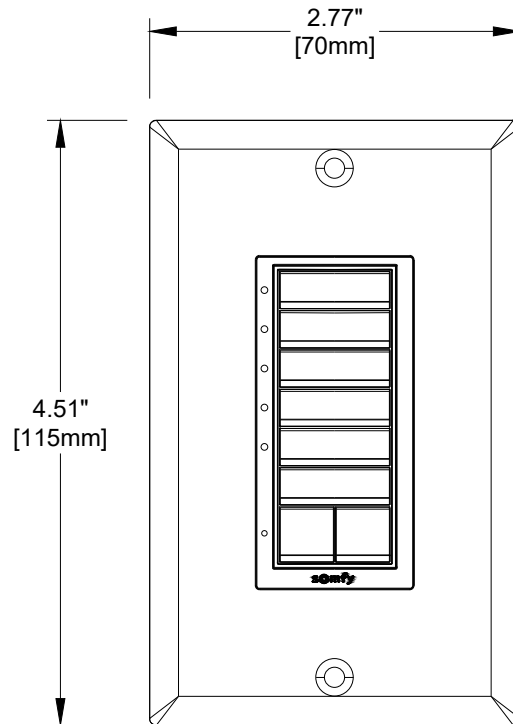
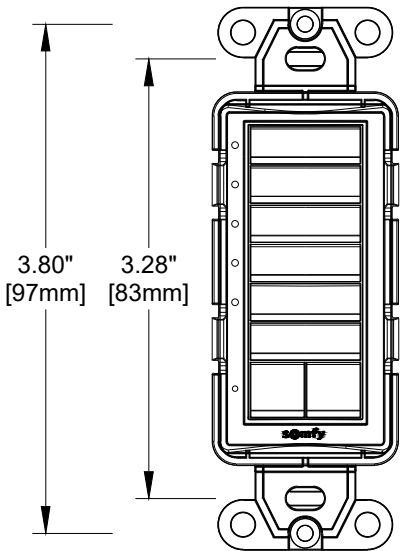


SDN Decoflex Digital 8- Button Group Control Keypad
Applicable Part Numbers

- 1811750 - White



© 2015 Somfy Systems, Inc. All Rights Reserved. This drawing is the property of Somfy Systems, Inc. The graphics, information and specific ideas in this document are the exclusive property of Somfy Systems, Inc. and must not be made public, copied, or sold. Others seeking permission to reproduce this document, in whole or in part, must obtain permission from Somfy Systems, Inc. in writing.

Tel: 1-800-64-SOMFY
 Fax: 1-609-495-8165
 www.somfysystems.com



| Date: | Revisions | | | |
|-------------|------------|----------|----------|-------------|
| | Rev | Date | By | Description |
| 09/27/18 | - | --/--/-- | - | |
| Print Size: | 8.5" x 11" | - | --/--/-- | - |
| Scale: | NTS | - | --/--/-- | - |
| Sales: | N/A | - | --/--/-- | - |
| Drawn by: | PK | - | --/--/-- | - |
| Checked by: | N/A | - | --/--/-- | - |

Dwg Title:
**SDN Decoflex Digital 8-Button
 Group Control Keypad
 Part# 1811750**

Dwg No.:
Part#1811750-SPEC

Project name:
Technical Library

Client:
Somfy Systems, Inc.

Address:
**121 Herrod Boulevard
 Dayton, NJ 08810**