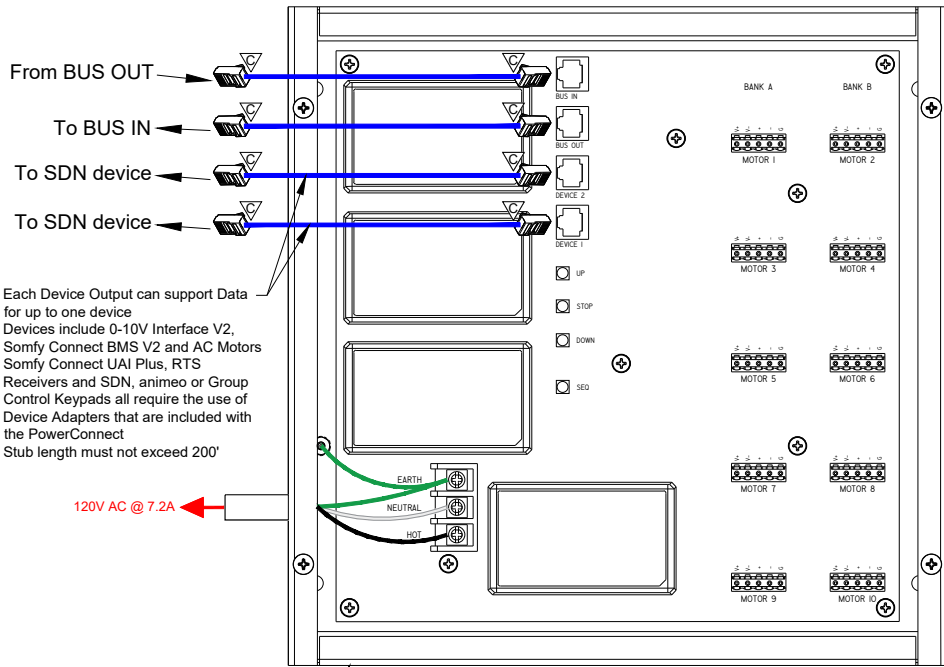
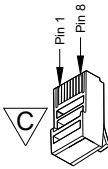


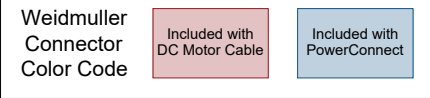
SDN Bus Wiring Pinout		
CAT-5e or higher TIA-568B standard with RJ-45		
Pin #	Color	Function
1	Orange White	SDN RS485 (+)
2	Orange	SDN RS485 (-)
3	Green White	Reserved
4	Blue	Power 24v DC
5	Blue White	Power 24v DC
6	Green	Reserved
7	Brown White	SDN RS485 Ground
8	Brown	SDN RS485 Ground



- Each Device Output can support Data for up to one device
- Devices include 0-10V Interface V2, Somfy Connect BMS V2 and AC Motors
- Somfy Connect UI Plus, RTS Receivers and SDN, animeo or Group Control Keypads all require the use of Device Adapters that are included with the PowerConnect
- Stub length must not exceed 200'

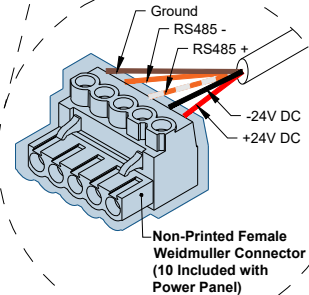
**SDN PowerConnect
Surface Mount
#1871026**

- Wiring Distance to Motor**
- 240ft with 14AWG wire
 - 150ft with 16AWG wire
 - 100ft with 18AWG wire



SDN Low-voltage Motor Cable
14/2 + 22/3 TWS
Part #9020126 (Non-Plenum)
Part #9020127 (Plenum)
Max Distance from
PowerConnect to Motor is 240'

TO
POWER
CONNECT



Male Printed Weidmuller Connector (A)		DC Motor Port Wiring Pinout		Female Non-Printed Weidmuller Connector (B)	
Male Pin #	Function	Male Pin #	Function	Female Pin #	Function
1	Power (+)	5	SDN RS485 (+)	5	SDN RS485 (+)
2	Power (-)	4	SDN RS485 (-)	4	SDN RS485 (-)
3	SDN RS485 (+)	3	SDN RS485 Ground	3	SDN RS485 Ground
4	SDN RS485 (-)	2		2	
5	SDN RS485 Ground	1		1	

**HARDWIRED TO
SONESSE® 30 RS485
24V DC MOTOR**

