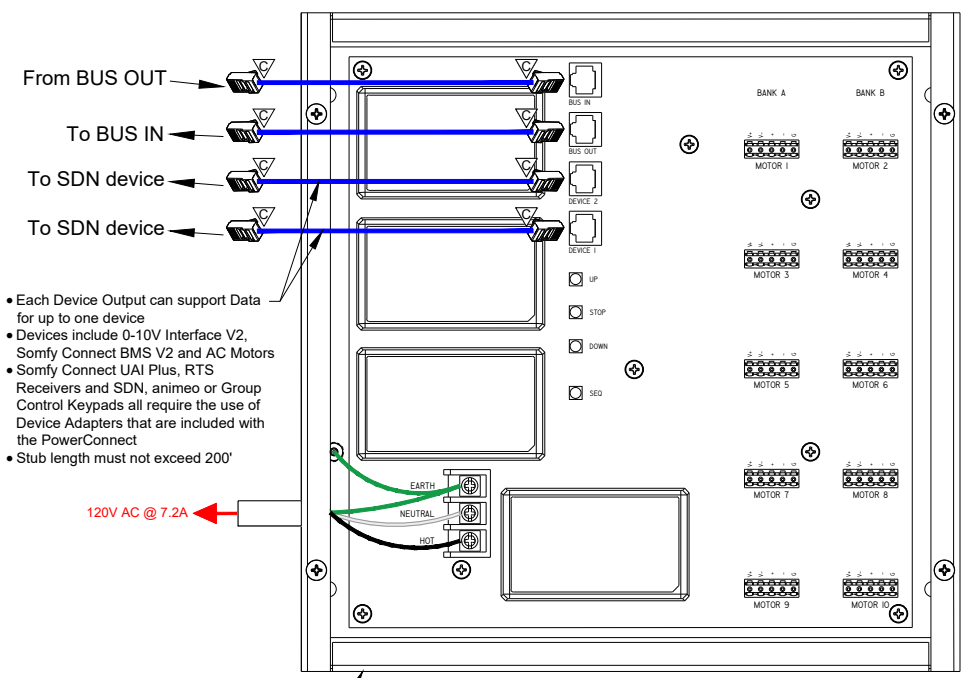


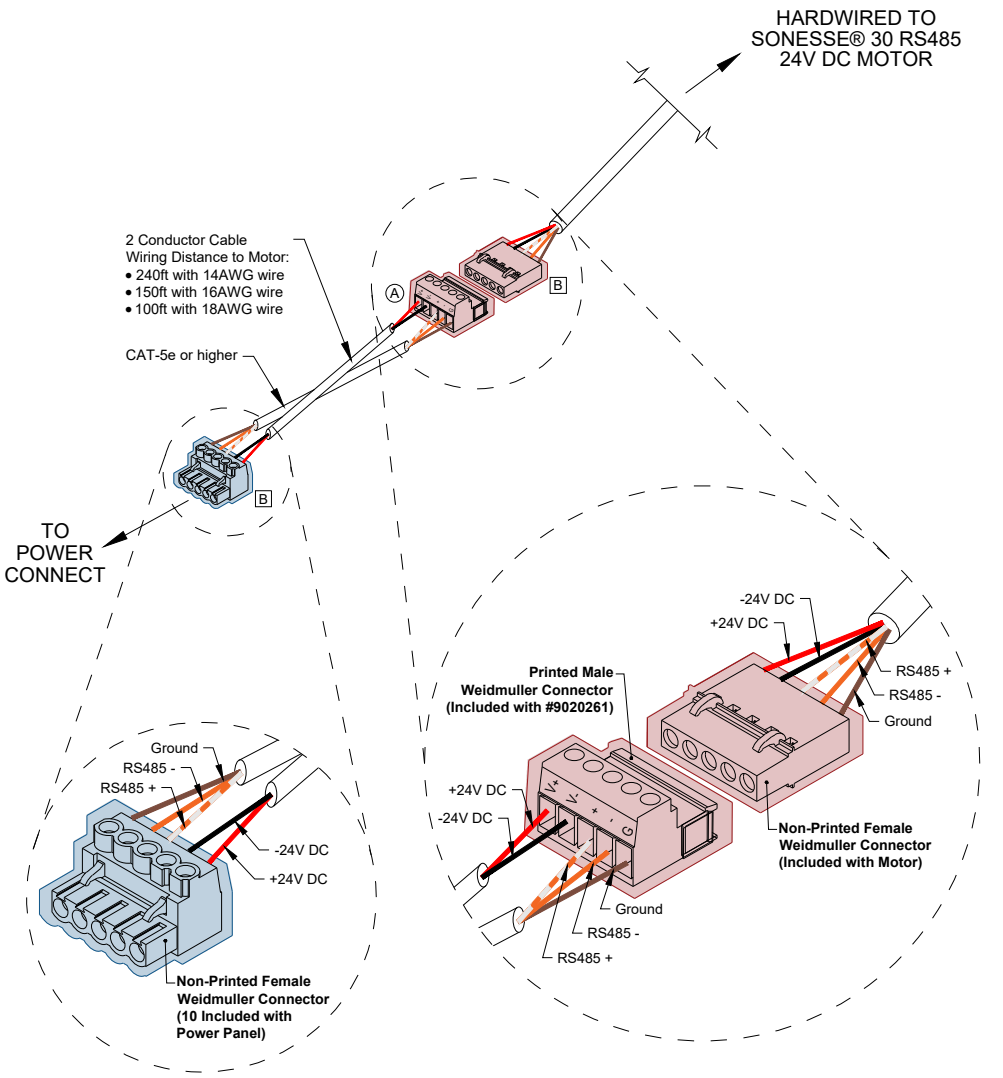
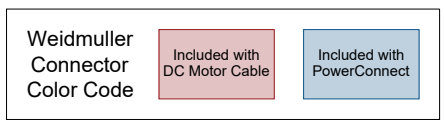
SDN Bus Wiring Pinout		
CAT-5e or higher TIA-568B standard with RJ-45		
Pin #	Color	Function
1	Orange White	SDN RS485 (+)
2	Orange	SDN RS485 (-)
3	Green White	Reserved
4	Blue	Power 24v DC
5	Blue White	Power 24v DC
6	Green	Reserved
7	Brown White	SDN RS485 Ground
8	Brown	SDN RS485 Ground



- Each Device Output can support Data for up to one device
- Devices include 0-10V Interface V2, Somfy Connect BMS V2 and AC Motors
- Somfy Connect UAI Plus, RTS Receivers and SDN, animeo or Group Control Keypads all require the use of Device Adapters that are included with the PowerConnect
- Stub length must not exceed 200'

SDN PowerConnect
Surface Mount
#1871026

- Wiring Distance to Motor
- 240ft with 14AWG wire
 - 150ft with 16AWG wire
 - 100ft with 18AWG wire



Male Printed Weidmuller Connector (A)		DC Motor Port Wiring Pinout		Female Non-Printed Weidmuller Connector (B)	
Male Pin #	Function	Female Pin #	Function	Female Pin #	Function
1	Power (+)	5	SDN RS485 (+)	1	SDN RS485 Ground
2	Power (-)	4	SDN RS485 (-)	2	SDN RS485 (-)
3	SDN RS485 (+)	3	SDN RS485 (+)	3	SDN RS485 (+)
4	SDN RS485 (-)	2	SDN RS485 (-)	4	SDN RS485 (-)
5	SDN RS485 Ground	1	SDN RS485 Ground	5	SDN RS485 Ground



Date:	07/26/23	Rev	Date	By	Description
Print Size:	8.5" x 11"	-	-	-	-
Scale:	NTS	-	-	-	-
Sales:	N/A	-	-	-	-
Drawn by:	RV	-	-	-	-
Checked by:	PK	-	-	-	-

Dwg Title:	ST-30 V2 with 2-Cond. Cable & CAT5e to PowerConnect Surface Mt
Dwg No.:	ST30DC-WIRING-07

Project name:	Technical Library
Client:	Somfy Systems, Inc.
Address:	121 Herrod Boulevard Dayton, NJ 08810