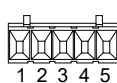
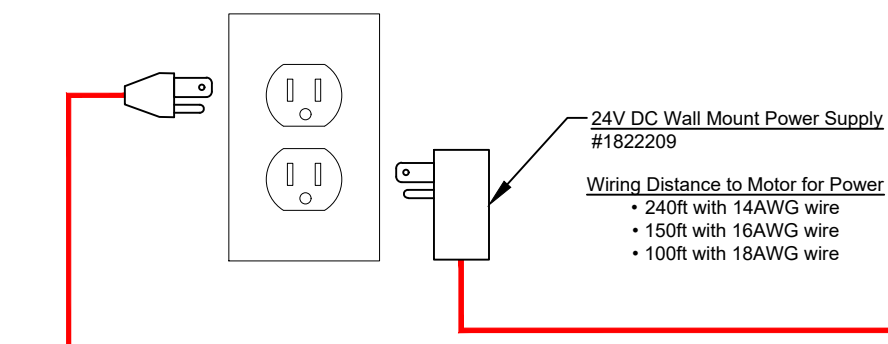


Male Printed Weidmuller Connector	DC Motor Port Wiring Pinout			Female Printed Weidmuller Connector
Male Pin #	Function	Female Pin #		
1	Power (+)	5		
2	Power (-)	4		
3	SDN RS485 (+)	3		
4	SDN RS485 (-)	2		
5	SDN RS485 Ground	1		

DC Motor Weidmuller Connector Color Code

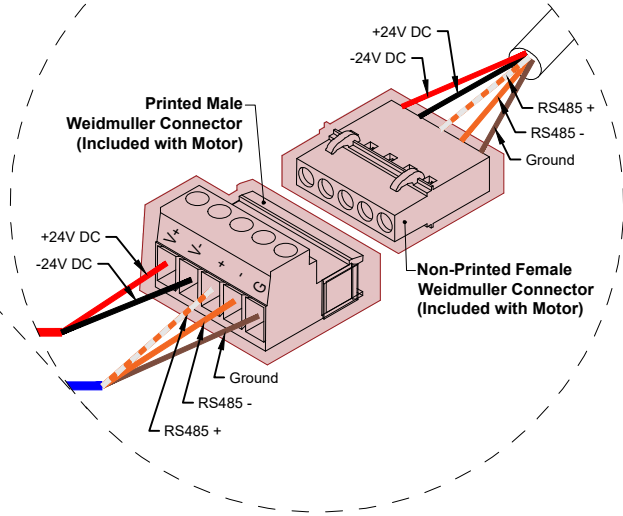
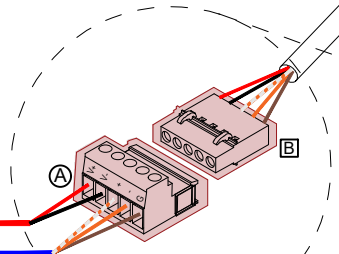
Included with DC Motor Cable

HARDWIRED TO SONESSE® 30 RS485 24V DC MOTOR

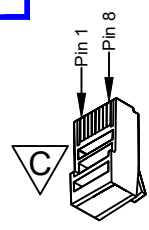


Wiring Distance to Motor for Power

- 240ft with 14AWG wire
- 150ft with 16AWG wire
- 100ft with 18AWG wire



- Stub length must not exceed 200'.
- Each Device Output can support Data and Power up to one device.
- Devices include Keypads, RTS Receivers, Somfy Connect LTI or UAI+, Somfy Connect BMS (Data Only), or Motors (Data Only).



SDN Wiring Pinout		
CAT-5e or higher TIA-568B standard with RJ-45		
Pin #	Color	Function
1	Orange White	SDN RS485 (+)
2	Orange	SDN RS485 (-)
3	Green White	Reserved
4	Blue	Power 24v DC
5	Blue White	Power 24v DC
6	Green	Reserved
7	Brown White	SDN RS485 Ground
8	Brown	SDN RS485 Ground



Date:	01/13/23	Revisions			
Print Size:	8.5" x 11"	Rev	Date	By	Description
Scale:	NTS	-	-	-	-
Sales:	N/A	-	-	-	-
Drawn by:	RV	-	-	-	-
Checked by:	PK	-	-	-	-

Dwg Title:	ST-30 V2 Wiring with Weidmuller Connector to 24V DC Power Supply
Dwg No.:	ST30V2-WIRING-01

Project name:	Technical Library
Client:	Somfy Systems, Inc.
Address:	121 Herrod Boulevard
	Dayton, NJ 08810