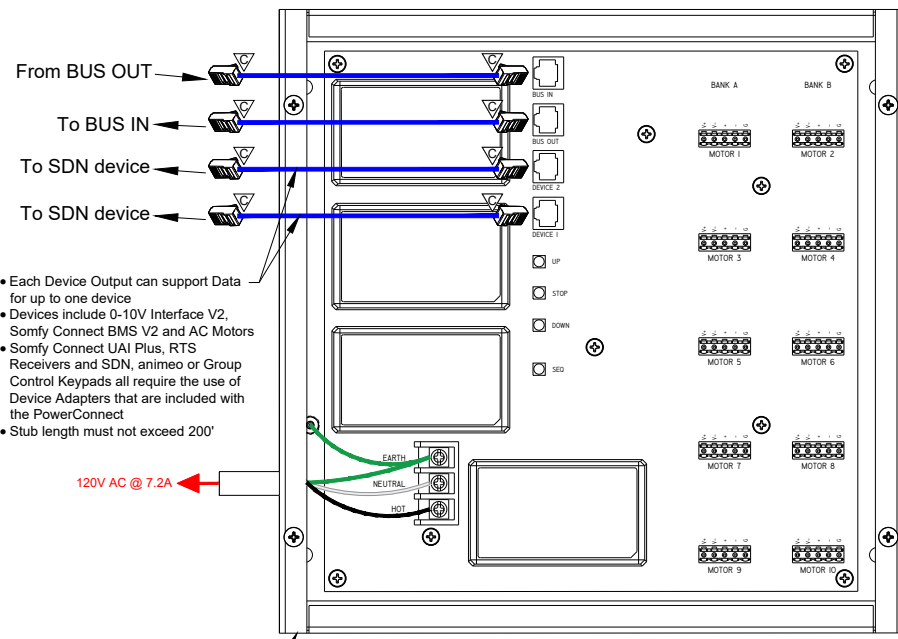
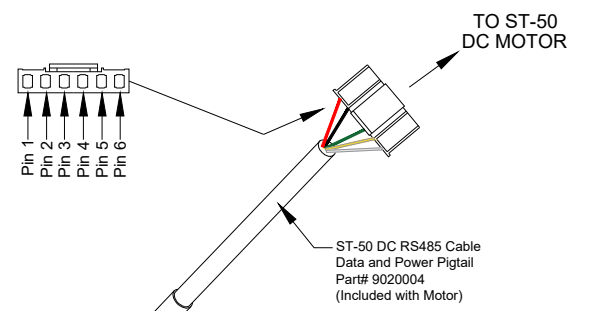


| SDN Bus Wiring Pinout | | |
|---|--------------|------------------|
| CAT-5e or higher TIA-568B standard with RJ-45 | | |
| Pin # | Color | Function |
| 1 | Orange White | SDN RS485 (+) |
| 2 | Orange | SDN RS485 (-) |
| 3 | Green White | Reserved |
| 4 | Blue | Power 24v DC |
| 5 | Blue White | Power 24v DC |
| 6 | Green | Reserved |
| 7 | Brown White | SDN RS485 Ground |
| 8 | Brown | SDN RS485 Ground |

| ST-50 Motor Head Data Pinout | | |
|------------------------------|------------------|--------|
| Pin # | Function | Color |
| 1 | Power (+) | Red |
| 2 | Power (-) | Black |
| 3 | NC | - |
| 4 | SDN RS485 (-) | Green |
| 5 | SDN RS485 (+) | Yellow |
| 6 | SDN RS485 Ground | White |



- Each Device Output can support Data for up to one device
- Devices include 0-10V Interface V2, Somfy Connect BMS V2 and AC Motors
- Somfy Connect UAI Plus, RTS Receivers and SDN, animeo or Group Control Keypads all require the use of Device Adapters that are included with the PowerConnect
- Stub length must not exceed 200'

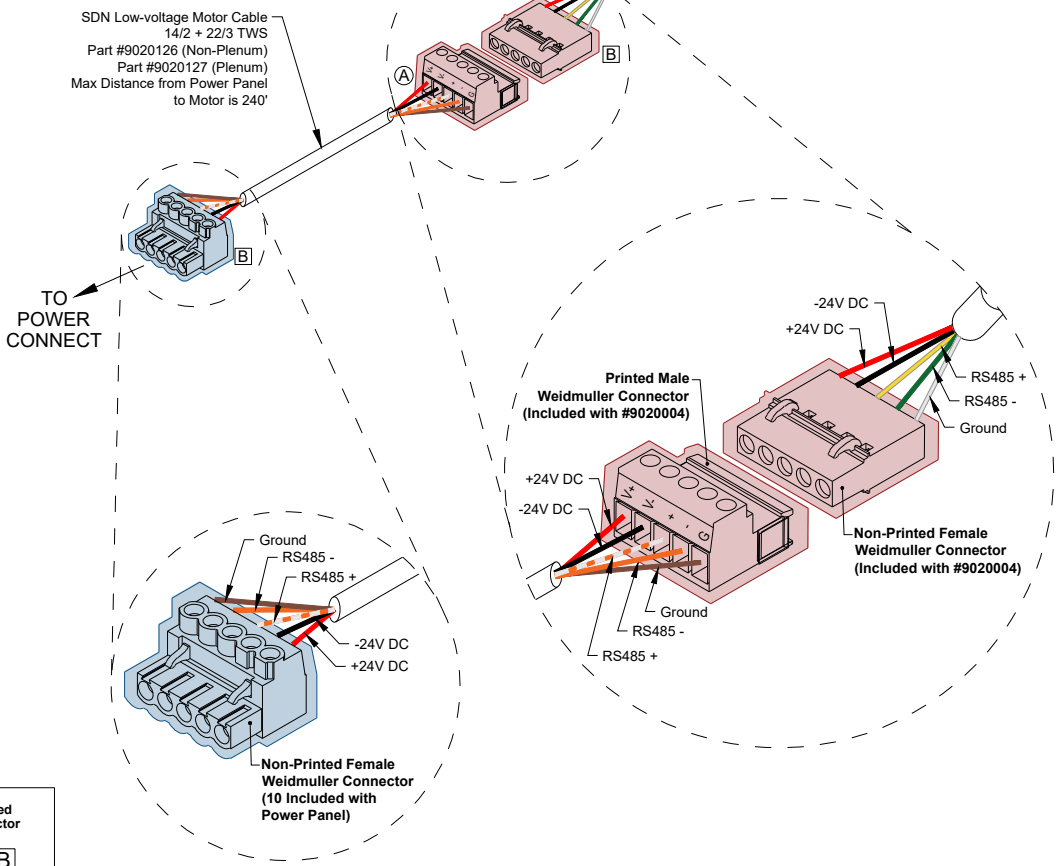
SDN PowerConnect Surface Mount #1871026

- Wiring Distance to Motor**
- 240ft with 14AWG wire
 - 150ft with 16AWG wire
 - 100ft with 18AWG wire

DC Motor Weidmuller Connector Color Code

| | |
|------------------------------|---------------------------|
| Included with DC Motor Cable | Included with Power Panel |
|------------------------------|---------------------------|

| Male Printed Weidmuller Connector | DC Motor Port Wiring Pinout | | Female Non-Printed Weidmuller Connector | |
|-----------------------------------|-----------------------------|------------------|---|--|
| | Male Pin # | Function | Female Pin # | |
| | 1 | Power (+) | 5 | |
| | 2 | Power (-) | 4 | |
| | 3 | SDN RS485 (+) | 3 | |
| | 4 | SDN RS485 (-) | 2 | |
| | 5 | SDN RS485 Ground | 1 | |



© 2023 Somfy Systems, Inc. All Rights Reserved. This drawing is the property of Somfy Systems, Inc. The graphics, information and specific ideas in this document are the exclusive property of Somfy Systems, Inc. and must not be made public, copied, or sold. Others seeking permission to reproduce this document, in whole or in part, must obtain permission from Somfy Systems, Inc. in writing.

Tel: 1-800-64-SOMFY
 Fax: 1-609-495-8165
 www.somfysystems.com



| Date: | 07/26/23 | Revisions | | | |
|-------------|------------|-----------|------|----|-------------|
| Print Size: | 8.5" x 11" | Rev | Date | By | Description |
| Scale: | NTS | - | - | - | |
| Sales: | N/A | - | - | - | |
| Drawn by: | RV | - | - | - | |
| Checked by: | PK | - | - | - | |

Dwg Title: **ST-50 DC Wiring with SDN Low-Voltage Cable to PowerConnect Surface Mt.**
 Dwg No.: **ST50DC-WIRING-06**

Project name: **Technical Library**
 Client: **Somfy Systems, Inc.**
 Address: **121 Herrod Boulevard
 Dayton, NJ 08810**