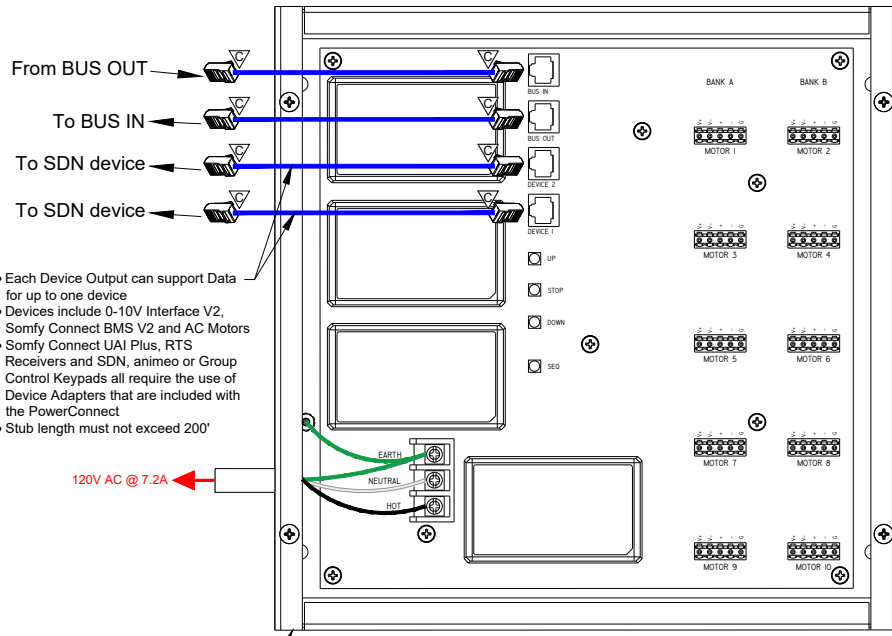
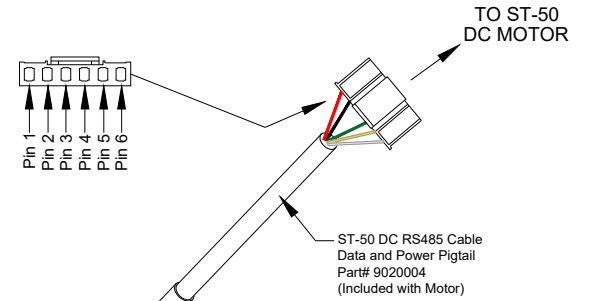


SDN Bus Wiring Pinout		
CAT-5e or higher TIA-568B standard with RJ-45		
Pin #	Color	Function
1	Orange White	SDN RS485 (+)
2	Orange	SDN RS485 (-)
3	Green White	Reserved
4	Blue	Power 24v DC
5	Blue White	Power 24v DC
6	Green	Reserved
7	Brown White	SDN RS485 Ground
8	Brown	SDN RS485 Ground

ST-50 Motor Head Data Pinout		
Pin #	Function	Color
1	Power (+)	Red
2	Power (-)	Black
3	NC	-
4	SDN RS485 (-)	Green
5	SDN RS485 (+)	Yellow
6	SDN RS485 Ground	White



- Each Device Output can support Data for up to one device
- Devices include 0-10V Interface V2, Somfy Connect BMS V2 and AC Motors
- Somfy Connect UAI Plus, RTS Receivers and SDN, animeo or Group Control Keypads all require the use of Device Adapters that are included with the PowerConnect
- Stub length must not exceed 200'

SDN PowerConnect Surface Mount
#1871026

Wiring Distance to Motor
• 240ft with 14AWG wire
• 150ft with 16AWG wire
• 100ft with 18AWG wire

DC Motor Weidmuller Connector Color Code

Included with DC Motor Cable

Included with Power Panel

Male Printed Weidmuller Connector		DC Motor Port Wiring Pinout		Female Non-Printed Weidmuller Connector	
Male Pin #	Function	Female Pin #	Male Pin #	Function	Female Pin #
1	Power (+)	5	1	Power (+)	5
2	Power (-)	4	2	Power (-)	4
3	SDN RS485 (+)	3	3	SDN RS485 (+)	3
4	SDN RS485 (-)	2	4	SDN RS485 (-)	2
5	SDN RS485 Ground	1	5	SDN RS485 Ground	1

- 2 Conductor Cable
- Wiring Distance to Motor:
• 240ft with 14AWG wire
• 150ft with 16AWG wire
• 100ft with 18AWG wire

CAT-5e or higher

TO POWER CONNECT

