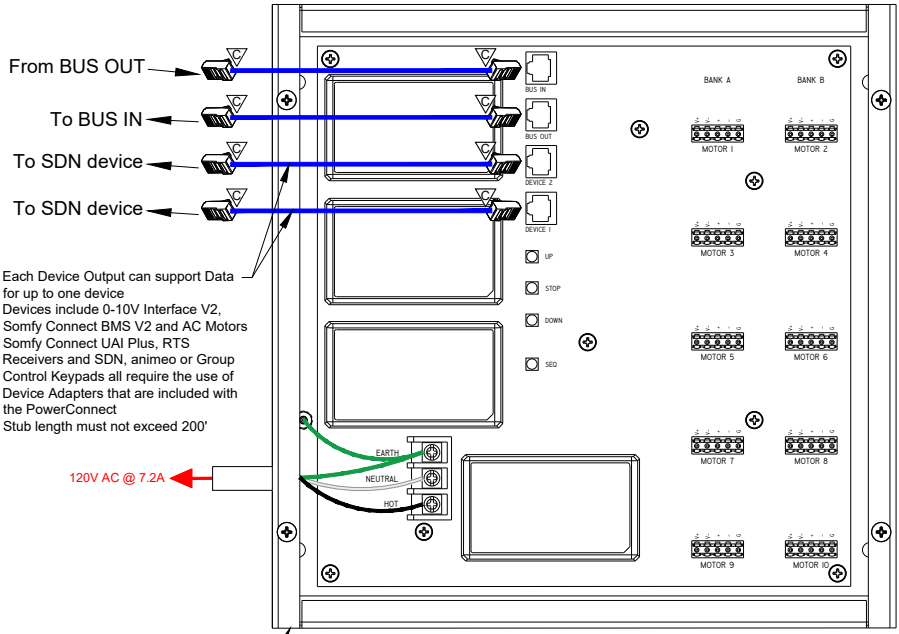
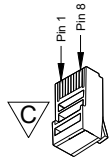


SDN Bus Wiring Pinout		
CAT-5e or higher TIA-568B standard with RJ-45		
Pin #	Color	Function
1	Orange White	SDN RS485 (+)
2	Orange	SDN RS485 (-)
3	Green White	Reserved
4	Blue	Power 24V DC
5	Blue White	Power 24V DC
6	Green	Reserved
7	Brown White	SDN RS485 Ground
8	Brown	SDN RS485 Ground

ST-50 Motor Head Data Pinout		
Pin #	Function	Color
1	Power (+)	Red
2	Power (-)	Black
3	NC	-
4	SDN RS485 (-)	Green
5	SDN RS485 (+)	Yellow
6	SDN RS485 Ground	White



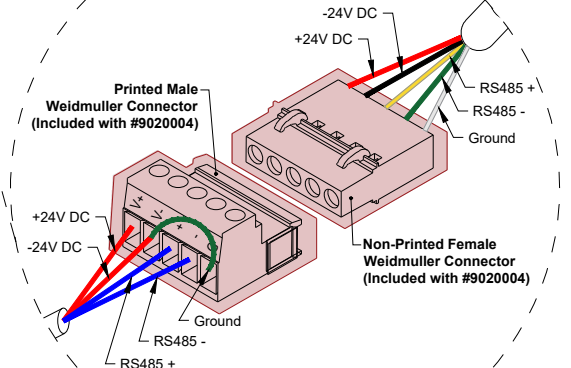
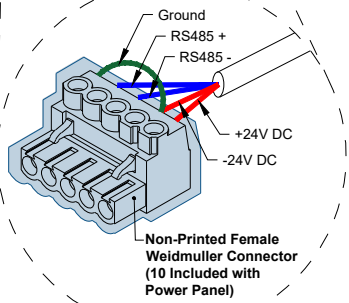
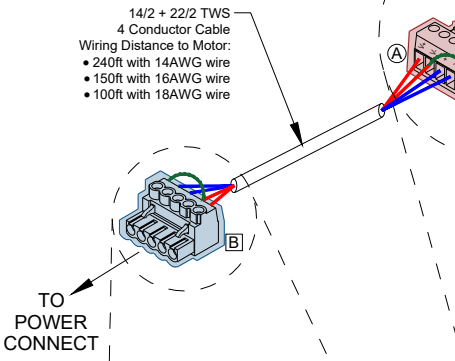
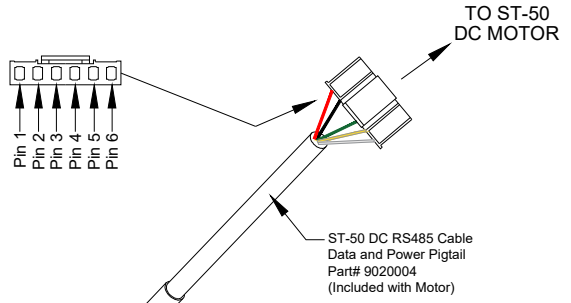
- Each Device Output can support Data for up to one device
- Devices include 0-10V Interface V2, Somfy Connect BMS V2 and AC Motors
- Somfy Connect UAI Plus, RTS Receivers and SDN, animeo or Group Control Keypads all require the use of Device Adapters that are included with the PowerConnect
- Stub length must not exceed 200'

SDN PowerConnect Surface Mount
#1871026

Wiring Distance to Motor
• 240ft with 14AWG wire
• 150ft with 16AWG wire
• 100ft with 18AWG wire

DC Motor Weidmuller Connector Color Code	
Included with DC Motor Cable	Included with Power Panel

Male Printed Weidmuller Connector		DC Motor Port Wiring Pinout		Female Non-Printed Weidmuller Connector	
Male Pin #	Function	Female Pin #	Function	Female Pin #	Function
1	Power (+)	5	Power (+)	5	Power (+)
2	Power (-)	4	Power (-)	4	Power (-)
3	SDN RS485 (+)	3	SDN RS485 (+)	3	SDN RS485 (+)
4	SDN RS485 (-)	2	SDN RS485 (-)	2	SDN RS485 (-)
5	SDN RS485 Ground	1	SDN RS485 Ground	1	SDN RS485 Ground



© 2023 Somfy Systems, Inc. All Rights Reserved. This drawing is the property of Somfy Systems, Inc. The graphics, information and specific ideas in this document are the exclusive property of Somfy Systems, Inc. and must not be made public, copied, or sold. Others seeking permission to reproduce this document, in whole or in part, must obtain permission from Somfy Systems, Inc. in writing.

Tel: 1-800-64-SOMFY
Fax: 1-609-495-8165
www.somfysystems.com



Date:	07/26/23	Revisions			
Print Size:	8.5" x 11"	Rev	Date	By	Description
Scale:	NTS	-	-	-	
Sales:	N/A	-	-	-	
Drawn by:	RV	-	-	-	
Checked by:	PK	-	-	-	

Dwg Title: ST-50 DC Wiring with 4 Cond. Cable to PowerConnect Surface Mt.
Dwg No.: ST50DC-WIRING-08

Project name: Technical Library
Client: Somfy Systems, Inc.
Address: 121 Herrod Boulevard
Dayton, NJ 08810