

# Sunis Outdoor WireFree™ RTS Sun Sensor



Part # 9020412

## OVERVIEW:

The **Sunis Outdoor WireFree™ RTS Sun Sensor** provides automatic control of exterior RTS motorized awnings, screens, shutters and pergolas based on sunlight levels. The precise sun level is adjustable with 8 possible levels of light sensitivity - from indirect sun and heavy cloud cover (1kLux) to high-intensity direct sunlight (100+ kLux). The Sensor will adjust RTS motorized products when sunlight exceeds the set threshold for at least 2 minutes and when sun levels fall below the threshold for at least 15 minutes, automatically creating a comfortable outdoor living space, increasing energy efficiency, and protecting furnishings from UV damage.

## FEATURES SUMMARY:

- Totally wireless sun sensor for automatic control of exterior RTS motorized awnings, screens, shutters and pergolas
- Easily adjustable sunlight thresholds
- Powered by 2 standard AA alkaline batteries
- Simple installation
- Demo mode for testing settings without delays
- LEDs for visual status updates

## TECHNICAL SPECIFICATIONS:

- Power Input: 2 AA 1.5v Alkaline Batteries
- Protection Rating: IP 34
- Material: ABS
- Dimensions: 3.07" x 1.62" (78 x 41 mm)
- Maximum Range: 65' under optimal conditions
- Temperature Range:
  - Storing: up to 104°F (40°C) to -4°F (-20°C)
  - Working: up to 104°F (40°C) to -4°F (-20°C)
- Frequency: 433.42 Mhz
- Shipping Weight: 1 lb
- Sun Threshold Levels: 1kLux to 100+ kLux
- LED: red and green LEDs indicate RTS signal transmission, sun threshold settings, battery level and operation mode
- Compatible with all exterior-rated RTS motors and motors using the Universal RTS Receiver (#1810627)
- FCC Certified
- Requires RTS transmitter with Soliris functionality



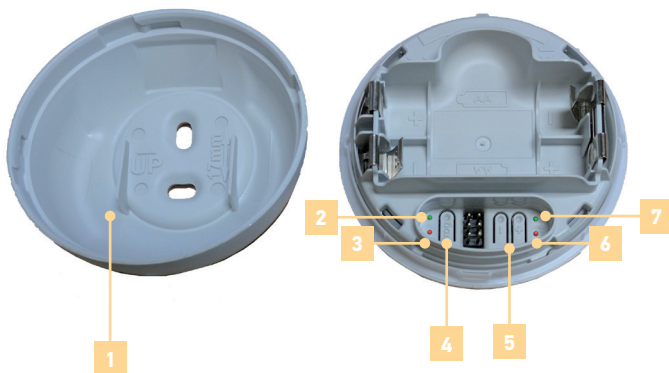
## WHAT'S IN THE BOX:

- Sunis Outdoor WireFree™ RTS Sun Sensor
- 2 AA Alkaline Batteries
- Instructions

## OPTIONAL ACCESSORIES:

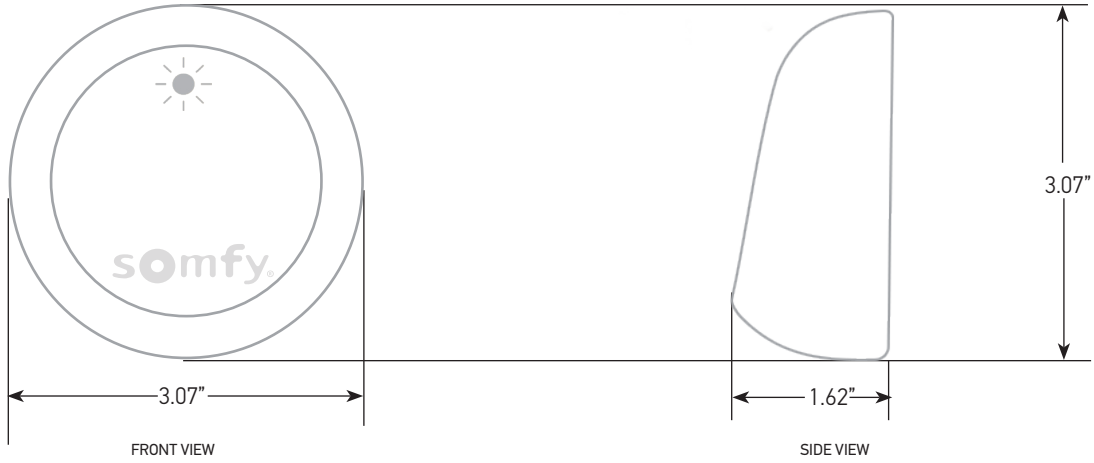
- Telis 1 Soliris Pure #1810635
- Telis 1 Soliris Patio #1810647
- Telis 4 Soliris Patio #1811243

## DESCRIPTION:



ELEMENT	FUNCTION
1 <b>Sunis base</b>	Used to mount the sensor to a vertical wall
2 <b>Green programming LED</b>	Indicates programming mode
3 <b>Red battery LED</b>	Lights up when the batteries are charged
4 <b>Programming button</b>	Used for programming the sensor
5 <b>Sun levels - +</b>	Used to adjust the sensitivity threshold
6 <b>Red LED level 1-4</b>	Indicates sensitivity levels from 1 to 4
7 <b>Green LED level 5-8</b>	Indicates sensitivity levels from 5 to 8

## DIMENSIONS:



## BEST PRACTICES

The diagram shown below is meant for illustrative purposes to show the connections from product to product. This device could be used in other configurations than shown below.

Mount the sensor with the up arrow facing up and the drain hole facing directly down. Sensor should be mounted on a vertical surface within 65' of the RTS products you wish to control. Mount the sensor facing the direction the awning/screen protects from sun. Ensure the sensor is clear from obstruction that could shade it throughout the day.

