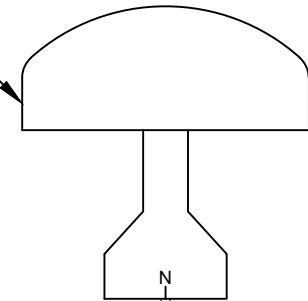


NOTES:

1. The M-Series Sensor will require a power connection from DC Power Supply #9017611.
2. If exterior wire is not in conduit, then outdoor rated wire must be used.
3. The M-Series Sensor should not be mounted where a shadow may be cast from surrounding environment.
4. Please refer to M-Series Sensor installation instructions to insure connections are properly insulated from the weather.

Weather Station M Series
M8 #1860306
M13 #1860307
**Installed on Roof*

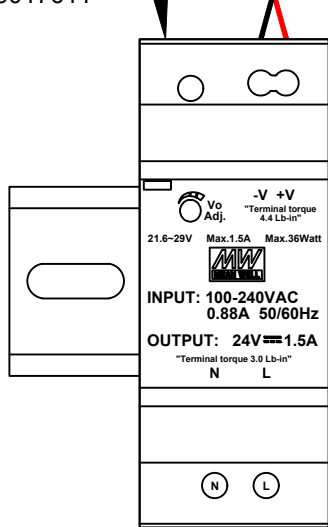


**Max distance is 6' [1.8m] using 14AWG 2-Conductor Cable, Stranded, Olympic style 3133 or equivalent*

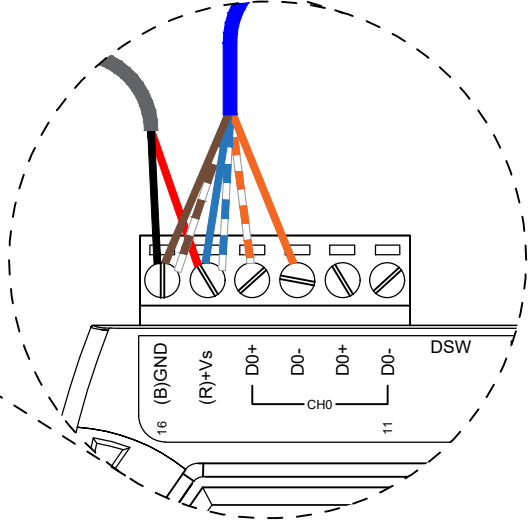
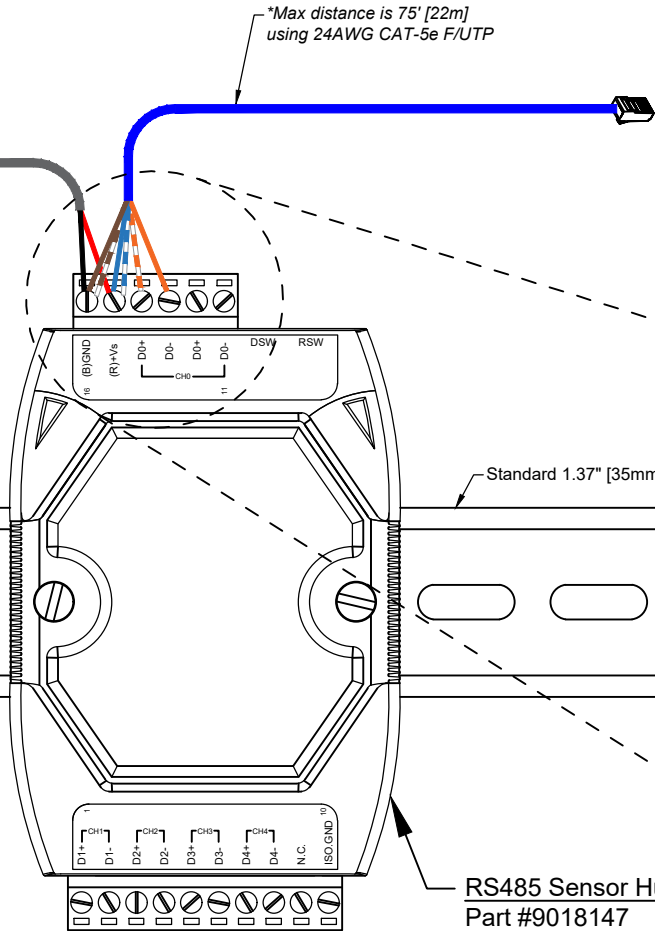
**Max distance is 75' [22m] using 24AWG CAT-5e F/UTP*

12.5' [3.8m] whip

DRM DC Power Supply 24V 1.5A
Part #9017611



120V AC



Date:	Revisions			
	Rev	Date	By	Description
04/01/21	-	-	-	-
Print Size:	8.5" x 11"	-	-	-
Scale:	NTS	-	-	-
Sales:	N/A	-	-	-
Drawn by:	RV	-	-	-
Checked by:	TS	-	-	-

Dwg Title:	Weather Station M8/13 for animeo IB+ w/ Sensor Hub Wire Detail
Dwg No.:	WSM-WIRING-02

Project name:	Technical Library
Client:	Somfy Systems
Address:	121 Herrod Boulevard
	Dayton, NJ 08810